



QUARTER TURN ELECTRIC ACTUATOR

AVA-B20 BASIC ON-OFF 20Nm

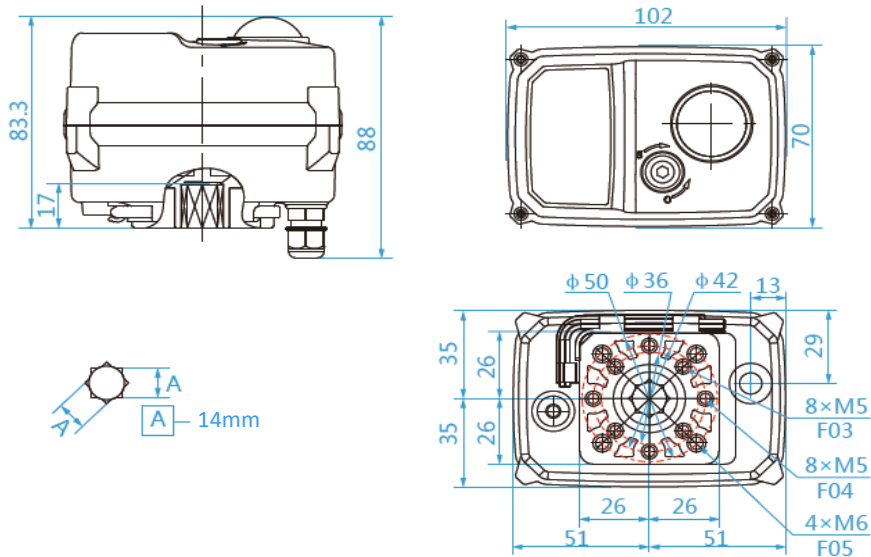


Model:	AVA-B20 20Nm BASIC ON-OFF ELECTRIC ACTUATOR					
	AC 1ph 50/60Hz			DC		
Rated Voltage	AC230V	AC110V	AC24V	DC24V	DC12V	
Voltage Range	AC 190-250V	AC90-130V	AC22-28V	DC22-28V	DC10-15V	
Consumption	13.2W run, 0W hold	15W run, 0W hold	10.8W run, 0W hold	9.6W run, 0.3W hold	93.5W run, 0.3W hold	
Peak current	60mA for 5ms	135mA for 5ms	450mA for 5ms	500mA for 5ms	1A for 5ms	
Fuse	1A	1A	2A	2A	2A	
Maximum Break Torque Nm	20			20	15	
Run & Reseat Torque Nm	15			15		
Manual operation	Yes, by hexagonal wrench (supplied in clip) when no power is being applied					
Run time	≈ 15 sec			≈ 10 sec	≈ 12 sec	
STANDARD FEATURES:						
Operating frequency	Not continuous, allow ≥ 1 minute between cycles					
Position confirmation	Mechanically driven dome style visual 2 colour indicator					
Mounting restriction	None, can be mounted at any angle. Leave room for space to operate manually, and for electrical connection					
End Position indication	Micro-switches operated by adjustable internal cams, set slightly ahead of the final motor stop position.					
ISO:5211	F03 & F05 (+ F04 which mounts at 45 degrees)					
Working Angle	Factory set at 90° ±2°, maximum angle of rotation 360°					
Female drive	14mm Star (11mm octagon option) x 17mm deep					
Ingress protection	IP67, recommend cover provided if exposed to direct rain or sun					
Max media temp	≤ 80C					
Ambient temp	-20 to +60C (ABS) -20 to +80C (Aluminium)					
Non-operating temp	≤ -40C to ≥80C					
Ambient humidity	5-95% RH non-condensing					
Explosion proof	No, prohibited. Do not use in hazardous areas					
Housing	Plastic (ABS)					
Weight	With standard ABS housing 0.78kg (With optional aluminium housing 0.98kg)					
Options	Available failsafe using capacitor. See Model AVA-B24 for details					



Success results from our continual pursuit of perfection, details therefore subject to change in the interests of product development and improvement.

www.avactuators.co.uk



Model	Voltage	Housing	Heater	Control of on-off function & end of travel confirmation
AVA-B20-	1 AC 230V	P Plastic (ABS)	0 None	A SPDT. Switchable +ve/ live. No end of travel confirmation switches.
	2 AC 110V	A Aluminium	H 5W/24k Ω	B SPDT. Switchable +ve/ live. 2 x Volt free end of travel confirmation switches.
	3 AC 24V			C SPDT. Switchable +ve/ live. 2 x End of travel switches powered from motor switches.
	4 DC 24V			D SPDT. Switchable +ve/ live. 10k Ω Potentiometer feedback.
	7 DC 12V			F SPST. Make or break switch. 2 x Volt free end of travel confirmation switches.
				Note: See AVA-B24 data sheet for failsafe version (15Nm) . Fails safe by capacitor on loss of power. Only available with 'B' or 'F' wiring options.

NOTE: UK STANDARD STOCK IS WITH WIRING 'B', ANY OTHERS ARE FACTORY OPTIONS. DETAILS AVAILABLE ON REQUEST.

