

Features

- PVC full bore ball valve
- Size range is 1/2" to 3" bidirectional, 4" uni directional
- PTFE ball seats
- EPDM or Viton seals available
- Available plain solvent weld end, BSP, NPT or Flanged
- Can be actuated with electric or pneumatic actuator
- Maximum pressure 16 Bar rated up to 2", 10 bar above
- Pre motor includes bracket and drive adapter

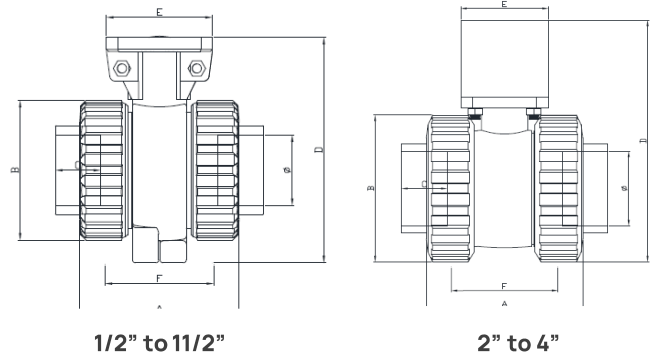


Operation

Turning the hand lever one quarter-turn (90°) rotates the ball from closed to the open position. Lever operated but can be actuated with an electric or pneumatic actuator.

Materials

Body	PVC-U
Ball	PVC-U
Seats	PTFE
Stem / Seals	EPDM or Viton
Lever	Supplied with valve to tighten ball in body



1/2" to 1 1/2"

2" to 4"

MANUFACTURER:

hidroten
Business & Technology Partner of Water System Technology

Dimension Table

Size	DN	A	B	C	D	E	F	Torque	ISO	Weight
D20	DN15	86	55	16	103	62.45	44	5Nm	F05 x14	0.16Kg
D25	DN20	94	62	19	109	63	49	7Nm	F05 x14	0.20Kg
D32	DN25	122	72	23	120	62.6	66	8Nm	F05 x14	0.36Kg
D40	DN32	131	88	25	143	62.6	71	10Nm	F05 x14	0.85Kg
D50	DN40	150	103	31	159	75	75	12Nm	F05 x14	1.28Kg
D63	DN50	177	120	38	204	74	89	15Nm	F05 x14	1.80Kg
D75	DN65	216	150	45	230	74	119	25Nm	F05 x14	2.85Kg
D90	DN80	257	181	51	255.25	74	140	30Nm	F07 x17	3.15Kg
D110	DN100	Call	Call	Call	Call	Call	Call	40Nm	F07 x17	6.45Kg

* For dry applications add 1.5 to the above torque figure as good practice, for wet/lubricating applications, use the above torque figures.

Actuation Bracket for 2" to 4" valves

From 1/2" to 1 1/2" the bracket used for these Hidroten ball valves are a wrap around bracket. From 2" to 4" the valves are supplied with a GRPP box section bracket. Dimensions as per the above table.



Part Numbers:

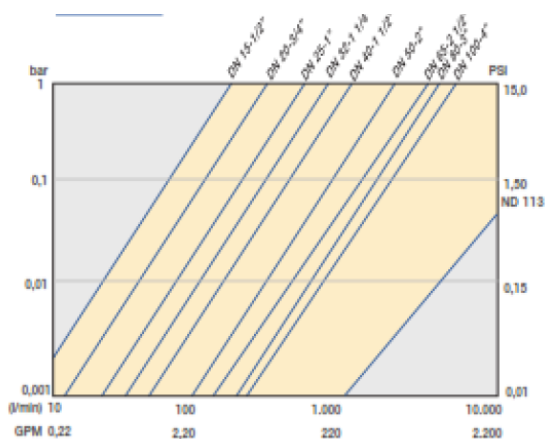


This range of Hidroten PVC ball valves are available with a variety of ends and seals. The following table lists the different part numbers covering the different ends, metric and imperial with BSP threaded ends also covered.

*The image to the right shows our Pre Motor ball valves 2" to 4" using a box section style bracket.

Series	52063 - PVC Ball valve pre motor Metric plain solvent weld ends EPDM seals									
Codes:	52063-D04	52063-D05	52063-D06	52063-D07	52063-D08	52063-D09	52063-D10	52063-D11	52063-D12	
Size:	D20 DN15	D25 DN20	D32 DN25	D40 DN32	D50 DN40	D63 DN50	D75 DN65	D90 DN80	D110 DN100	
Series	52064 - PVC Ball valve pre motor Metric plain solvent weld ends Viton seals									
Codes:	52064-D04	52064-D05	52064-D06	52064-D07	52064-D08	52064-D09	52064-D10	52064-D11	52064-D12	
Size:	D20 DN15	D25 DN20	D32 DN25	D40 DN32	D50 DN40	D63 DN50	D75 DN65	D90 DN80	D110 DN100	
Series	52060 - PVC Ball valve pre motor Imperial BS plain solvent weld ends EPDM seals									
Codes:	52060-04	52060-05	52060-06	52060-07	52060-08	52060-09	52060-10	52060-11	52060-12	
Size:	1/2"	3/4"	1"	1 1/4"	1 1/2"	2"	2 1/2"	3"	4"	
Series	52061 - PVC Ball valve pre motor Imperial BS plain solvent weld ends Viton seals									
Codes:	52061-04	52061-05	52061-06	52061-07	52061-08	52061-09	52061-10	52061-11	52061-12	
Size:	1/2"	3/4"	1"	1 1/4"	1 1/2"	2"	2 1/2"	3"	4"	
Series	52065 - PVC Ball valve pre motor Imperial BS BSP Threaded ends EPDM seals									
Codes:	52065-04	52065-05	52065-06	52065-07	52065-08	52065-09	52065-10	52065-11	52065-12	
Size:	1/2"	3/4"	1"	1 1/4"	1 1/2"	2"	2 1/2"	3"	4"	
Series	52066 - PVC Ball valve pre motor Imperial BS BSP Threaded ends Viton seals									
Codes:	52066-04	52066-05	52066-06	52066-07	52066-08	52066-09	52066-10	52066-11	52066-12	
Size:	1/2"	3/4"	1"	1 1/4"	1 1/2"	2"	2 1/2"	3"	4"	

Pressure / Temperature Charts and Loss of Load



Pressure and Temperature chart and loss of load charts. Note that the valves are pressure rated to 16 bar max pressure 1/2" to 2" and 10 bar 2 1/2" to 4".

Scan the QR code to view this product online.

