

Features

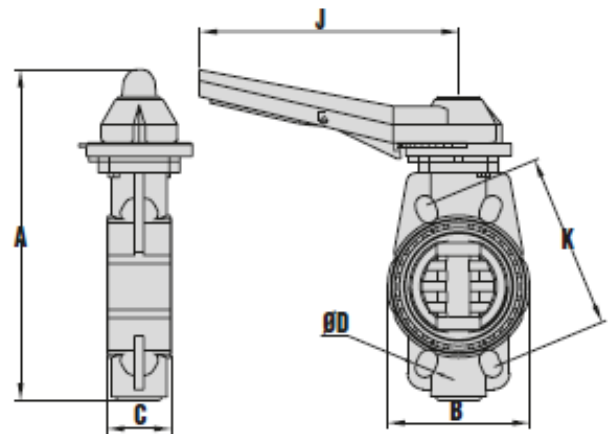
- PVC Wafer butterfly valve, series 'Implex'
- 63mm through to 315mm (2" to 12")
- 400mm (16") GRPP version available
- EPDM or Viton seals available
- Wafer pattern to suit PN10/16 and ANSI 150 flanges
- As 'pre motor' version, is suitable for actuation
- Available with stub flanges and bolt set assembly
- Lockable lever operator as standard, gearbox available



Applications

Hidroten butterfly valves are commonly used for swimming pools, spa and irrigation applications. They also offer a wide range of ball valves and related products.

Materials	
Body	PVC-U
Disc	PVC-U
Shaft	SS A2/A4
Stem / Seals	EPDM or Viton
Actuation:	Lever as standard, can be actuated



Dimension Table

Size	DN	A	B	C	D	K	J	Torque	ISO Mount	Weight
D63	DN50	264	136	50	18x4	125-145	235	16Nm	F05 x 14	1.39Kg
D75	DN65	264	136	50	18x4	125-145	235	16Nm	F05 x 14	1.39Kg
D90	DN80	288	130	57	18x8	146-160	235	38Nm	F05 x 14	2.06Kg
D110	DN100	308	152	60	18x8	178-190	235	40Nm	F05 x 14	2.32Kg
D125	DN125	344	170	62	18x8	190	270	64Nm	F07 x 17	2.62Kg
D140	DN125	364	187	65	18x8	210-216	270	68Nm	F07 x 17	2.95Kg
D160	DN150	386	214	69	22x8	235-241	270	76Nm	F07 x 17	3.78Kg
D200	DN200	460	270	71	22x8	292-298	270	98Nm	F07 x 17	5.62Kg
D250	DN250	570	321	108	22x12	350-362	415	150Nm	F10 x 22	9.98Kg
D315	DN300	695	370	131	22x12	400-425	240	240Nm	F10 x 22	22.0Kg

MANUFACTURER:





hidroten
Innovative Technology for the Age of Water System Technology

* All valves would recommend that for dry applications, add 1.5 safety factor to the figures stated above. For wet lubricating applications, no additional safety factor is required.

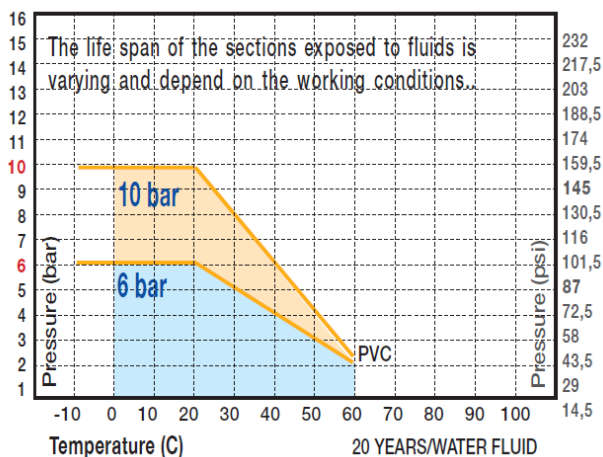


Part Numbers:

This range of Hidroten PVC butterfly valves are available with either EPDM or VITON seal. The following table lists the different part numbers covering the different seals and also shows codes for manual vs valves suitable for actuation.

Series	52050 - PVC Butterfly valve Implex Wafer type, EPDM Lever operated 								
Codes:	52050-D09	52050-D10	52050-D11	52050-D12	52050-D13	52050-D14	52050-D16	52050-D18	52050-D20
Size:	63mm	75mm	90mm	110mm	125mm	150mm	200mm	250mm	300mm
Series	52051 - PVC Butterfly valve Implex Wafer type, Viton Lever operated 								
Codes:	52051-D09	52051-D10	52051-D11	52051-D12	52051-D13	52051-D14	52051-D16	52051-D18	52051-D20
Size:	63mm	75mm	90mm	110mm	125mm	150mm	200mm	250mm	300mm
Series	52100- PVC Butterfly valve Implex Wafer type, EPDM with actuation bracket and drive adapter 								
Codes:	52100-D09	52100-D10	52100-D11	52100-D12	52100-D13	52100-D14	52100-D16	52100-D18	52100-D20
Size:	63mm	75mm	90mm	110mm	125mm	150mm	200mm	250mm	300mm
Series	52101- PVC Butterfly valve Implex Wafer type, Viton with actuation bracket and drive adapter 								
Codes:	52101-D09	52101-D10	52101-D11	52101-D12	52101-D13	52101-D14	52101-D16	52101-D18	52101-D20
Size:	63mm	75mm	90mm	110mm	125mm	150mm	200mm	250mm	300mm

Pressure / Temperature Charts and Loss of Load



Pressure and Temperature chart and loss of load charts. Note that the valves are pressure rated to 16 bar max pressure 63mm to 140mm 10 bar and 160mm to 315mm 6 bar.

Speak to our sales team today about accessories including stub flange sets and actuation options. 63mm to 250mm stocked for next day delivery, typically.



Actuated Valves using Hidroten Butterfly Valves

Allvalves can offer from stock, a very competitive offer on PVC butterfly valves with EPDM liner from stock fitted with either Pneumatic or Electric actuators. Contact our sales team today or use the QR code to visit our website.



SCAN ME

