

Features

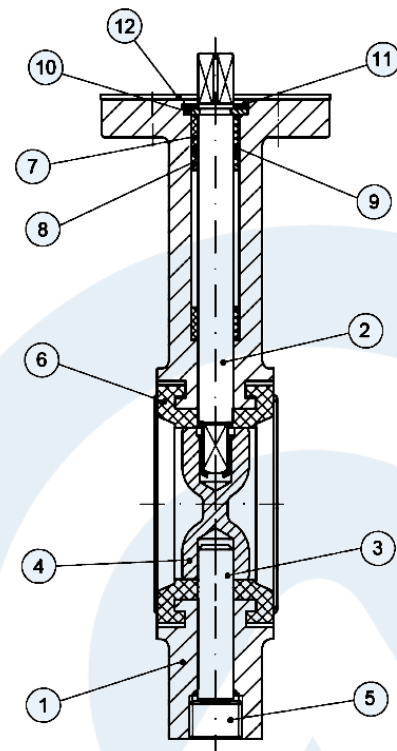
- Wafer pattern WRAS approved butterfly valve
- Ductile Iron body with EPDM liner
- 316 Stainless Steel disc
- Installs between ANSI 150 & EN 1092 PN 10/16 flanges
- Face to face according to EN 558-1 Series 20
- ISO5211 actuator mounting pad
- Maximum pressure: 16 bar (DN50-150) & 10 bar (200-300)
- Working temperature -20°C to +120°C

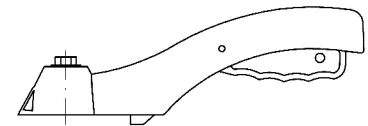
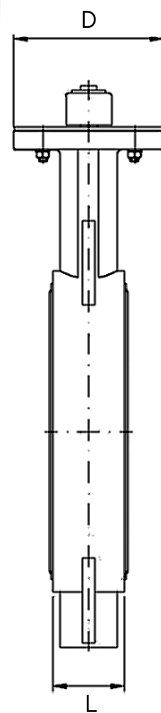
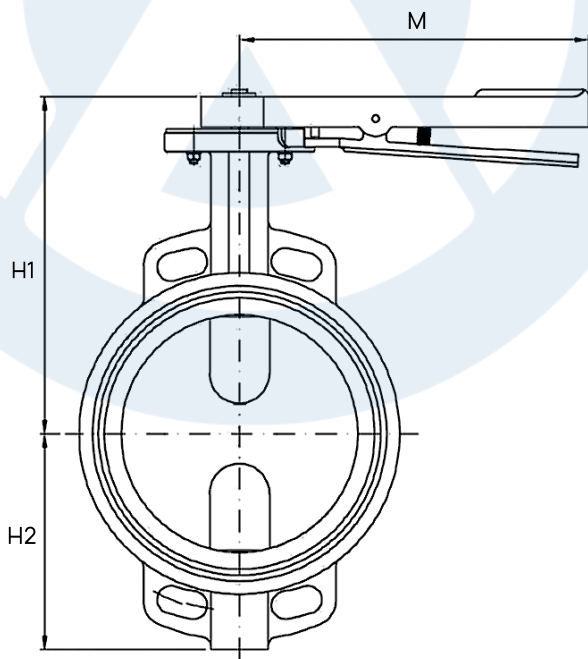
Operation

Turning the lever rotates the disc resulting in a change of direction of flow of the media. A latch locking device allows for locking the valve in open, closed & intermediate position. The valve is actuator ready with standard ISO5211 mounting pad & square output shaft.

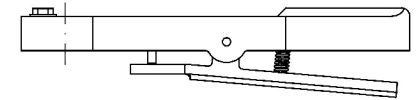
| | |
|---------------------|----------------|
| Manufacturer | GENEBRE |
|---------------------|----------------|

| Materials | | |
|-----------|-----------|-------------------------------------|
| 1 | Body | Ductile iron body Epoxy painted |
| 2 | Stem | Stainless Steel AISI 416 |
| 3 | Pivot | Stainless Steel AISI 416 |
| 4 | Disc | Stainless Steel 1.4408 Shot blasted |
| 5 | Plug | Carbon Steel Zinc plated |
| 6 | Seat | EPDM |
| 7 | Bush | Graphite |
| 8 | Bush | Graphite |
| 9 | O-ring | NBR |
| 10 | Washer | Bronze |
| 11 | Stop ring | Carbon Steel Zinc plated |
| 12 | Plate | Carbon Steel Zinc plated |

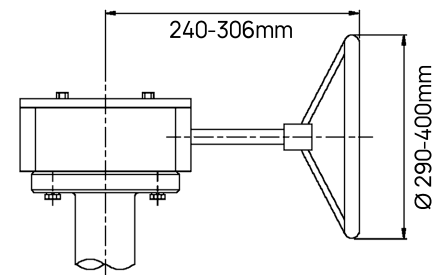




Note: size 2"-5"



Note: size 6"-10"



Note: size 12" (DN300)
handling by gear operator

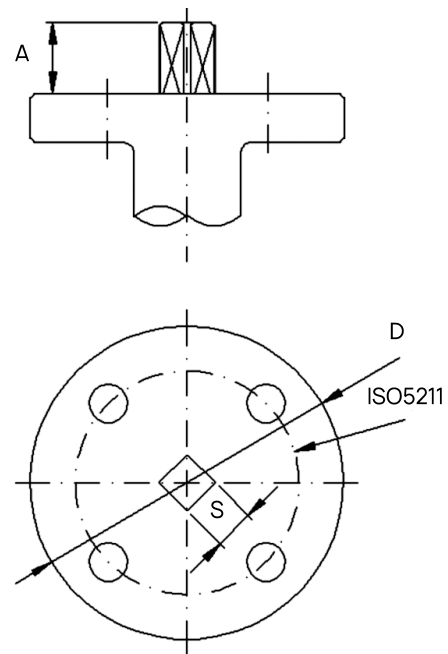
Dimension Table

| Size | H1 | H2 | L | M | D | Torque (Nm) |
|--------|-------|-------|-------|-------|-------|-------------|
| 2" | 238.0 | 70.0 | 43.0 | 170.0 | 65.0 | 16.0 |
| 2 1/2" | 238.0 | 80.0 | 46.0 | 170.0 | 65.0 | 26.0 |
| 3" | 238.0 | 100.0 | 46.0 | 170.0 | 65.0 | 35.0 |
| 4" | 270.0 | 115.0 | 52.0 | 215.0 | 90.0 | 51.0 |
| 5" | 300.0 | 135.0 | 56.0 | 215.0 | 90.0 | 75.5 |
| 6" | 300.0 | 150.0 | 56.0 | 215.0 | 90.0 | 117.0 |
| 8" | 280.0 | 180.0 | 60.0 | 300.0 | 125.0 | 156.0 |
| 10" | 330.0 | 215.0 | 68.0 | 300.0 | 125.0 | 234.0 |
| 12" | 360.0 | 250.0 | 78.0 | Ø 290 | 150.0 | 442.0 |
| 14" | 390.0 | 260.0 | 78.0 | Ø 290 | 150.0 | 832.0 |
| 16" | 420.0 | 300.0 | 102.0 | Ø 290 | 175.0 | 1046.5 |
| 18" | 445.0 | 330.0 | 114.0 | Ø 400 | 175.0 | 1500.0 |
| 20" | 480.0 | 370.0 | 127.0 | Ø 400 | 175.0 | 1826.0 |

Torque incl SF

Top Flange Dimensions

| Size | A | D | S | ISO5211 |
|--------|------|-------|------|---------|
| 2" | 16.0 | 65.0 | 11.0 | F05 |
| 2 1/2" | 16.0 | 65.0 | 11.0 | F05 |
| 3" | 16.0 | 65.0 | 11.0 | F05 |
| 4" | 16.0 | 90.0 | 14.0 | F07 |
| 5" | 16.0 | 90.0 | 14.0 | F07 |
| 6" | 16.0 | 90.0 | 14.0 | F07 |
| 8" | 30.0 | 125.0 | 17.0 | F07/F10 |
| 10" | 40.0 | 125.0 | 22.0 | F10 |
| 12" | 40.0 | 150.0 | 22.0 | F10/F12 |
| 14" | 45.0 | 150.0 | 22.0 | F12 |
| 16" | 45.0 | 175.0 | 27.0 | F14 |
| 18" | 45.0 | 175.0 | 27.0 | F14 |
| 20" | 45.0 | 175.0 | 36.0 | F14 |



Pressure Temperature ratings:

