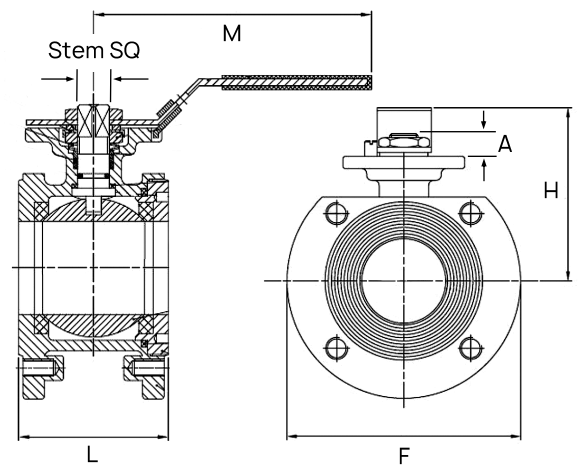


## Features

- Full bore, Wafer type ball valve
- Stainless Steel construction
- 15% Glass reinforced PTFE seats
- PN16 Flanged with tapped holes
- ISO5211 actuator mounting pad
- Maximum pressure 16 Bar rated
- Working temperature -20°C to +180°C

## Operation

Turning the hand lever one quarter-turn (90°) rotates the ball from closed to the open position. A latch locking device allows for pad locking the valve in either the open or closed position for safety lockout applications. The valve is actuator ready with standard ISO5211 mounting pad and square output shaft.



## Materials

Body	Stainless Steel 1.4408 Shot blasted
Ball	Stainless Steel 1.4408 Polished
Seats	15% Glass Filled PTFE
Stem / Seals	316SS / Viton and PTFE
Lever	Stainless Steel 304SS with Vinyl cover

Manufacturer:

**GENEBRE**

## Dimension Table

Size	H	L	M	F	*ISO5211	*A	*Stem SQ	Torque (Nm)
1/2"	85.0	36.0	115.0	95.0	F03/F04	10.0	9	6.3
3/4"	90.0	38.0	115.0	105.0	F03/F04	10.0	9	10.0
1"	95.0	50.0	170.0	115.0	F04/F05	10.0	11	12.5
1 1/4"	100.0	53.0	170.0	140.0	F04/F05	12.5	11	17.5
1 1/2"	105.0	65.0	210.0	150.0	F05/F07	14.5	14	25.0
2"	115.0	78.0	210.0	165.0	F05/F07	14.0	14	37.5
2 1/2"	130.0	98.0	260.0	185.0	F07/F10	17.0	17	45.0
3"	145.0	118.0	260.0	200.0	F07/F10	16.0	17	75.0
4"	175.0	140.0	260.0	220.0	F07/F10	19.0	17	118.8

\* Refers to the stem dimensions & actuator mounting Torque incl SF

