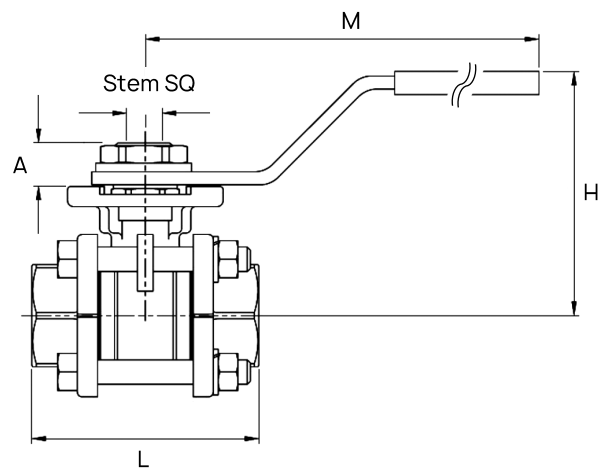


Features

- Full bore 3 Piece ball valve
- 316 Stainless Steel Construction
- 15% Glass reinforced PTFE seats
- Ends screwed NPT female
- ISO5211 actuator mounting pad
- Maximum pressure 63 Bar rated
- Working temperature -25°C to +180C

Operation

Turning the hand lever one quarter-turn (90°) rotates the ball from closed to the open position. A locking device allows for pad locking the valve in either the open or closed position for safety lockout applications. Actuators can direct mount to its standard ISO5211 mounting pad and square output shaft.



Materials

Body	316 Stainless Steel 1.4408 Shot blasted
Ball	316 Stainless Steel 1.4408 Polished
Seats	15% Glass Filled PTFE
Stem / Seals	316SS / Viton and PTFE
Lever	Stainless Steel 304SS with Vinyl cover

Dimension Table

Size	H	L	M	*ISO5211	*A	*Stem SQ	Torque (Nm)
1/4"	60.0	47.6	112.0	F03	10.0	9.0	6.3
3/8"	60.0	47.6	112.0	F03	10.0	9.0	6.3
1/2"	60.0	56.0	112.0	F03/F04	11.0	9.0	6.3
3/4"	70.0	73.0	138.0	F04/F05	11.0	11.0	10.0
1"	70.0	82.0	138.0	F04/F05	11.0	11.0	12.5
1 1/4"	88.0	91.0	160.0	F05/F07	15.0	14.0	17.5
1 1/2"	94.0	104.0	205.0	F05/F07	15.0	14.0	25.0
2"	100.0	120.0	205.0	F05/F07	15.0	14.0	37.5
2 1/2"	150.0	155.0	330.0	F07/F10	19.0	17.0	45.0
3"	165.0	182.0	330.0	F07/F10	19.0	17.0	75.0
4"	175.0	220.0	340.0	F07/F10	19.0	17.0	119.0

* Refers to the stem dimensions & actuator mounting

Torque incl SF

Manufacturer:

GENEBRE

