

Series Features:

- Quality assured manufacturer in Turkey
- Direct mounting on NAMUR interface actuators
- Easy conversion from 3/2 (Single Acting) and 5/2 (Double Acting)
- Lockable manual override
- Standard IP65 enclosure
- Available as Double Coil version
- Available as ATEX version



Main Specifications:

Item	Detail:
Power Consumption DC	12VDC, 24VDC is 3W
Power Consumption AC	24VAC, 110VAC and 230VAC is 5VA
Air Supply	Via G1/4" connection
Working Pressure	3-8 bar
Protection Class	IP65
Working Temperature	-20C to +80C
Flow Capacity	720 Lt/min

Brand:

AVP

AVP pneumatic actuators are of the time proven rack and pinion design and with a hard anodised aluminium body, producing a rugged and reliable compressed air driven part turn valve actuator.

Series 70090: 24VAC Voltage

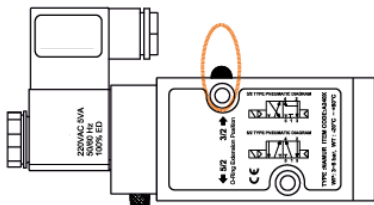
Series 70091: 24VDC Voltage

Series 70092: 110VAC Voltage

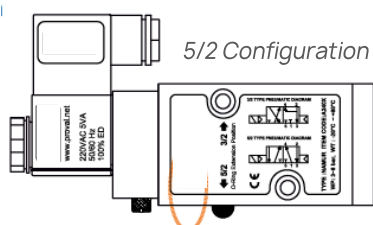
Series 70093: 230VAC Voltage

3/2 or 5/2 Configuration

Our Namur solenoids come with a 3/2 and 5/2 plate to allow the solenoid to be used on either a Double Acting or Single Acting pneumatic actuator.

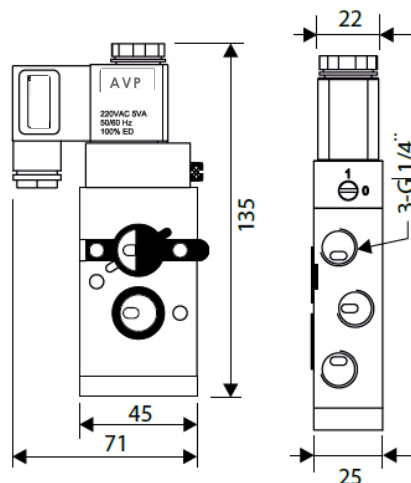


3/2 Configuration



5/2 Configuration

Dimensions:



You can view our Pneumatic actuator accessories via the following QR code, simply scan using your smartphone and you will be taken to our website: www.allvalves.co.uk

