

# Industrial Ball Valves - Plastic Ball Valves

## Hidroten™ 111D PVC Series Pre Motor Ball Valves



### Main Features :-

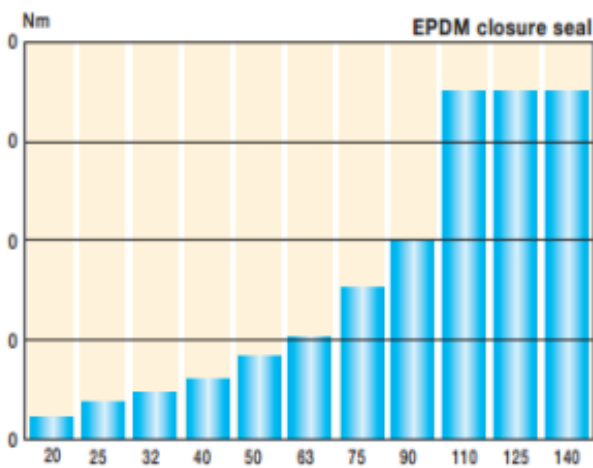
- Full Bore PVC Industrial Ball Valve Series
- Imperial Plain Ends as standard
- Metric Plain Ends, Imperial BSP Female Ends available
- Flanged PN10 Ends available
- Pre Motor - includes actuator ISO 5211 bracket and drive
- Very Low Torque, Bi Directional Flow!
- 1/2" to 3" in stock



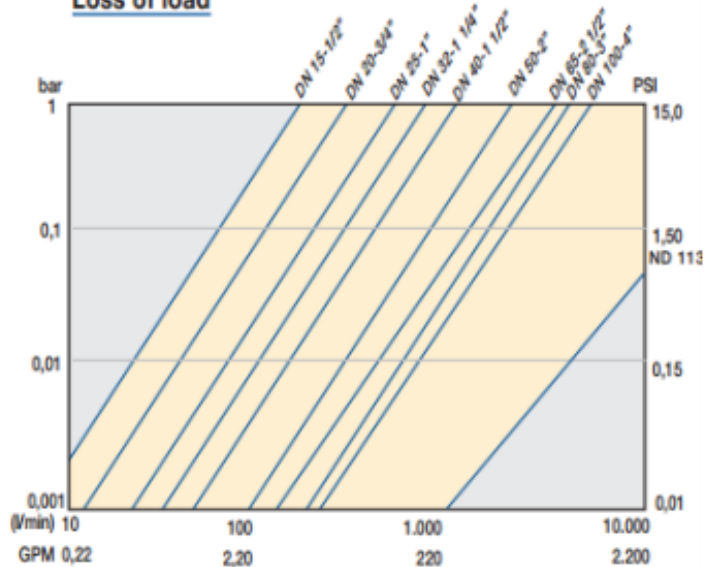
TYPE: BALL VALVES

### Technical Details:-

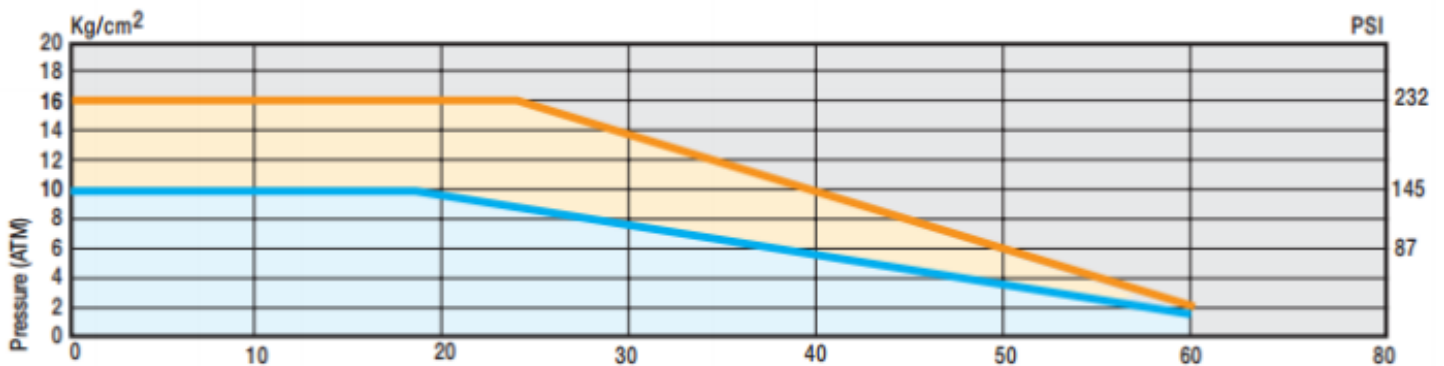
#### Torque at maximum pressure of service



#### Loss of load



#### Pressure/ Temperature



ISO 9001:2015 Accredited Company

Tel: +44(0)1386 552369

Fax: +44(0)1386 554227

sales@allvalves.co.uk

www.allvalves.co.uk

Allvalves Online Ltd, Automation House, Unit 2, Pershore, WR10 2DF UK

# Industrial Ball Valves - Plastic Ball Valves

## Hidroten™ 111D PVC Series Pre Motor Ball Valves



Technical Details:-

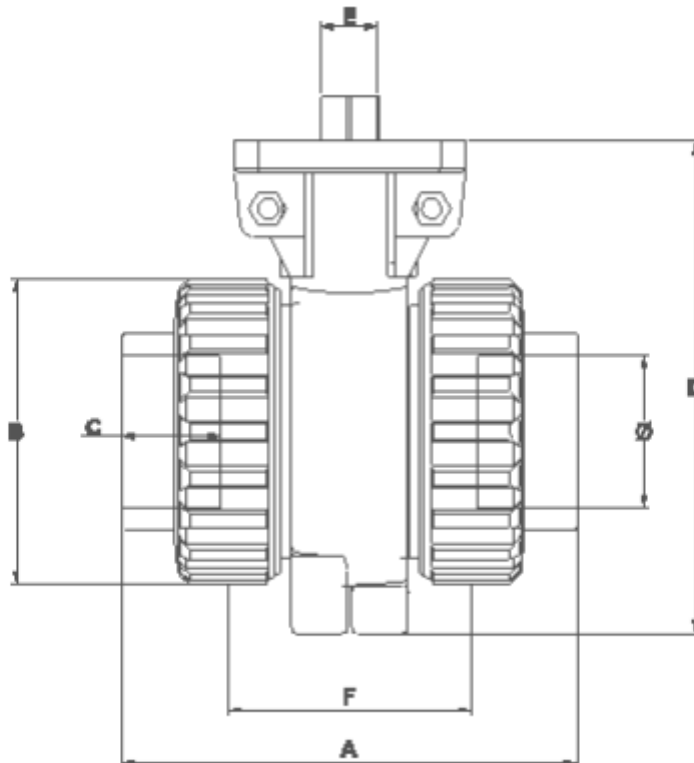


TYPE: BALL VALVES

Part Nb	Weight (g)	φ	DN	A	B	C	D	E	F
111D771	165	½"	15	86	55	16	103	14	44
111D772	205	¾"	20	94	62	19	109	14	49
111D773	360	1"	25	122	72	23	120	14	66
111D774	595	1 ¼"	32	131	88	25	143	14	71
111D775	850	1 ½"	40	150	103	31	159	14	75
111D776	1285	2"	50	177	120	38	204	14	89
111D777	1390	2 ½"	65	216	150	45	230	14	119

Call for details on 3" and 4" - note that 4" is Uni Directional.

Diameter (inches)	Nominal pressure (bar)
From ½" to 2"	16
2 ½"	10



ISO 9001:2015 Accredited Company

Tel: +44(0)1386 552369

Fax: +44(0)1386 554227

sales@allvalves.co.uk

www.allvalves.co.uk

Allvalves Online Ltd, Automation House, Unit 2, Pershore, WR10 2DF UK