



## Main Features:-

- ◆ Resilient Seated Valve
- ◆ DN 20 – DN 600 (DN 20 only PN10/16)
- ◆ Available manual or actuated
- ◆ Working Temperature –40 to + 200C \*
- ◆ Max Working Pressure 16 Bar (PN16)

\*Temperature and pressure determined by valve body, seat etc.

## Suitable Applications & Approvals:



HVAC



OIL



HVAC



INDUSTRY



WATER

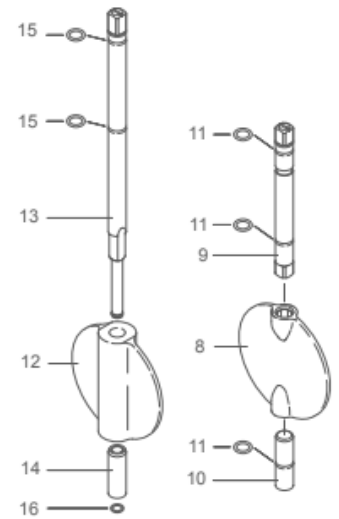


## SERIES: Z014-A

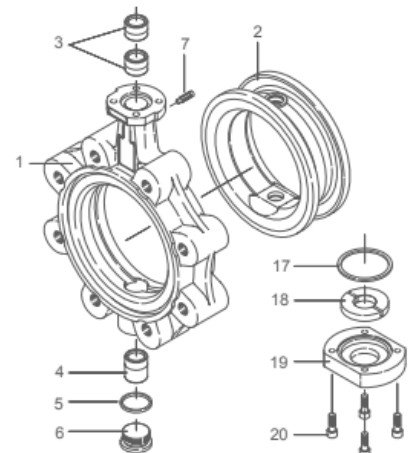
MANUFACTURER: **EBRO** ARMATUREN®

## VALVE MATERIALS & DIMENSIONS

ITEM	SECTION	MATERIAL	ADDITIONAL INFO / OPTIONS
1	Body	GGG-40	n/a
2	Seat	EDPM	NBR / FPM / VSI / SBR/CSM
3	Bearing Bush	Brass	Polyamide / PTFE
4	Bearing Bush	Brass	n/a
5	Seal DIN 7603	Copper	n/a
6	Plug screw DIN 908	Stainless Steel	n/a
7	Set screw DIN 915	Stainless Steel	Steel
8	Disc	Stainless Steel	Steel / Ali Bronze / Halar
9	Shafts	Stainless Steel	430 F / Hastelloy
10	Shafts	Stainless Steel	430 F / Hastelloy
11	O-ring	NBR	FPM
12	TS-disc	See below	Ali Bronze / Halar / Polished
13	TS-shaft	See below	F430 F
14	Sleeve	Stainless Steel	n/a
15	O-ring	NBR	FPM
16	Retaining Ring	Stainless Steel	n/a
17	O-Ring	NBR	n/a
18	Shaft retainer	Brass	n/a
19	Cover plate	GG-25	n/a
20	Screw	Stainless	Steel



TS-Version Version with splitted shaft



Pts.17-20:

Cover plate for

Valve ≥ DN350

Various materials and options available on the Z014 range of butterfly valves, the above information is typically based on the standard stocked option which is GGG-40body, stainless steel disc and EPDM liner.



T +44 (0)1386 552369

E sales@allvalves.co.uk

W WWW

F +44 (0)1386 554227

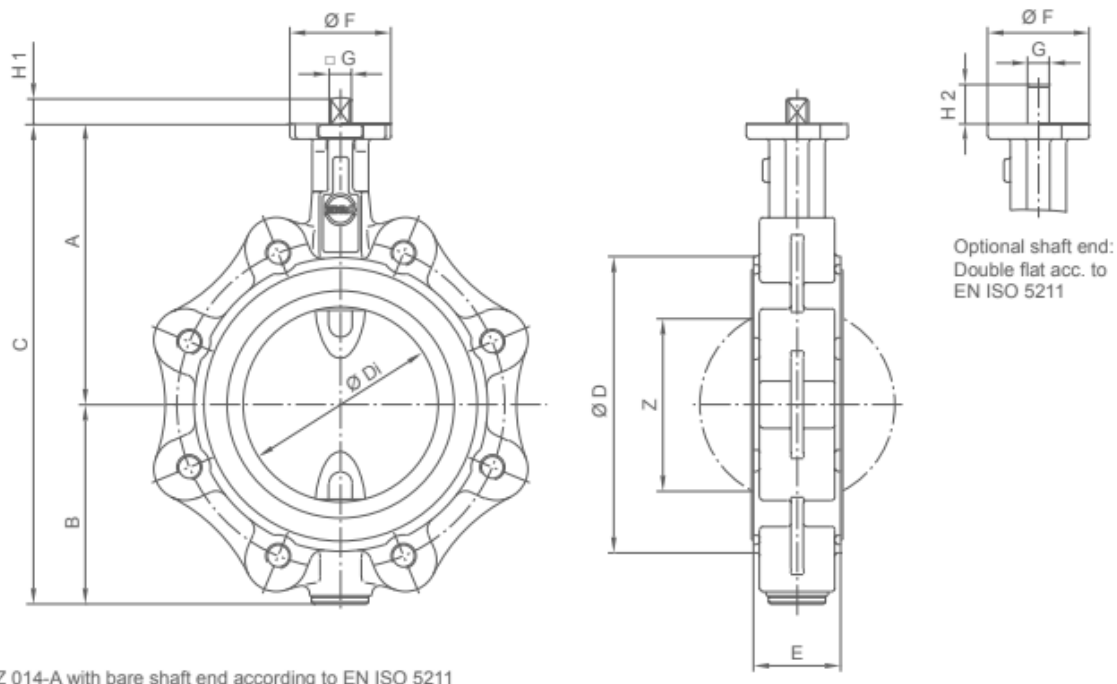


EBRO, A German manufacturer of the highest quality butterfly valves, a wide range of materials, sizes, liners and pressure ratings. EBRO butterfly valves are stocked typically 1" to 20" for next day delivery, manual or actuated.

## SERIES: Z014-A

### ADDITIONAL VALVE MATERIALS & DIMENSIONS

REF	A	B	C	D	E	F	Flange	G	H1	H2	Z	KG 2pc	KG TS
Z014A-E05	104	45	149	59	33	54	F04	11	12	19	-	2.1	-
Z014A-E06	104	45	149	63	33	54	F04	11	12	19	-	2.1	-
Z014A-E07	104	50	154	68	33	54	F04	11	12	19	-	2.1	-
Z014A-E08	113	66	179	80	33	54	F04	11	12	19	22	4.0	-
Z014A-E09	126	84	210	95	43	54	F04	11	12	19	25	4.8	-
Z014A-E10	134	93	227	115	46	54	F04	11	12	19	45	5.5	-
Z014A-E11	157	104	261	138	46	65	F05	14	16	25	65	8.6	9.1
Z014A-E12	167	115	282	158	52	65	F05	14	16	25	85	9.8	10.4
Z014A-E13	180	127	307	188	56	65	F05	14	16	25	111	10.1	10.7
Z014A-E14	203	150	353	212	56	90	F07	17	19	30	139	13.1	14.6
Z014A-E16	228	176	404	268	60	90	F07	17	19	30	190	18.8	20.6
Z014A-E18	266	212	478	320	68	125	F10	22	24	39	240	29.5	32.5
Z014A-E20	291	237	528	370	78	125	F10	22	24	39	287	37.0	40.5
Z014A-E22	332	269	601	408	78	150	F12	Call	Call	Call	330	54.8	60.4
Z014A-E24	363	314	677	470	102	150	F12	Call	Call	Call	378	81.5	87.3
Z014A-E26	397	335	732	530	114	210	F16	Call	Call	Call	417	101.4	105.9
Z014A-E28	437	371	808	574	127	210	F14/16	Call	Call	Call	474	136.6	142.8



Z 014-A with bare shaft end according to EN ISO 5211

T +44 (0)1386 552369

W www.allvalves.co.uk

E sales@allvalves.co.uk

F +44 (0)1386 554227





## SERIES: Z014-A

### TORQUE & Kv VALUES

REF	SIZE	3 BAR DISC	6 BAR DISC	10 BAR DISC	16 BAR DISC	TORQUE :
Z014A-E05	3/4"	5	5	5	-	- The liquid listed in the table are initial breakaway torques, taken with liquids and lubricant media. - Please regard these as approximate values, as the objective value on different factors like pressure, medium, rubber, quality, temperature etc. - Our engineers look forward to helping you with exact values for your application. - Powder based / dry non lubricating applications we recommend x 1.3 safety factor. - If application is wet, lubricating use torque figures stated to include 25% safety.
Z014A-E06	1"	5	5	5	-	
Z014A-E07	1 1/4"	5	5	5	-	
Z014A-E08	1 1/2"	8	8	8	8	
Z014A-E09	2"	9	9	9	9	
Z014A-E10	2 1/2"	18	18	18	18	
Z014A-E11	3"	8	10	18	24	
Z014A-E12	4"	9	18	28	37	
Z014A-E13	5"	15	22	45	59	
Z014A-E14	6"	36	45	78	125	
Z014A-E16	8"	59	76	140	200	- Powder based / dry non lubricating applications we recommend x 1.3 safety factor. - If application is wet, lubricating use torque figures stated to include 25% safety.
Z014A-E18	10"	150	180	200	240	
Z014A-E20	12"	200	240	280	360	
Z014A-E22	14"	350	540	610	700	
Z014A-E24	16"	420	620	750	850	
Z014A-E26	18"	720	746	860	1500	
Z014A-E28	20"	900	1100	2255	3690	

REF	SIZE	20 °	30°	40 °	50 °	60 °	70 °	80 °	90 °	KV VALUES:
Z014A-E05	3/4"	-	1	4	8	11	19	27	32	- The Kv values (M3 per hour) is the flow of water at a temperature of 5C to 30C (41F to 86F) at p of 1 bar - The Kv values specified are based on tests carried out by the Delfter Hydraulics Laboratories in Netherlands. - Permissible velocity of flow Vmax 4.5 m/s for liquids and Vmax 70 m/s for gases. - The throttle function is linear at an angle 30 degrees to 70 degrees. - Avoid cavitation - For further information, please email sales@allvalves.co.uk
Z014A-E06	1"	-	1.5	5	10	15	24	32	36	
Z014A-E07	1 1/4"	-	1.5	5	11	16	27	35	40	
Z014A-E08	1 1/2"	-	2.2	8	15	21	33	43	50	
Z014A-E09	2"	1.2	8	13	22	38	50	65	85	
Z014A-E10	2 1/2"	2	9	22	42	77	115	170	215	
Z014A-E11	3"	8	24	50	95	150	240	330	420	
Z014A-E12	4"	13	28	65	130	180	340	550	800	
Z014A-E13	5"	26	65	130	230	350	530	870	1010	
Z014A-E14	6"	35	90	200	360	640	900	1350	2100	
Z014A-E16	8"	43	180	350	580	1000	1600	3000	4000	
Z014A-E18	10"	125	360	660	1100	1800	3100	5300	6400	
Z014A-E20	12"	200	550	1000	1600	2600	5000	7500	8500	
Z014A-E22	14"	350	780	1400	2400	4000	8000	10800	11500	
Z014A-E24	16"	490	1050	1800	3100	5500	11000	12000	14500	
Z014A-E26	18"	510	1080	2040	3350	6100	11500	14600	21000	
Z014A-E28	20"	520	1100	2200	3500	6200	12000	15100	29300	



### Z014-A THERM

Lug Type Valve with integrated thermometer. A unique valve series with integrated thermometer for media temperature control.

- DN 20 – DN 600 (DN 20 only PN10/16)
- -40 °C bis + 200 °C (depending on pressure, medium and materials)



### Z014-A GAS

A lug type butterfly valve for end of line gas applications.

- DN 20 – DN 600 (DN 20 only PN10/16)
- -40 °C bis + 200 °C (depending on pressure, medium and materials)



### Z014-A WATER

A lug type butterfly valve for end of line water applications.

- DN 20 – DN 600 (DN 20 only PN10/16)
- -40 °C bis + 200 °C (depending on pressure, medium and materials)

