



Main Features:-

- ◆ AVA Basic and Smart Actuated Valves
- ◆ IP67 ABS or Aluminium Housing
- ◆ Manual Override and internal heater
- ◆ On Off, Failsafe, Modulating, Bus and Hi Speed
- ◆ WRAS approved Brass Ball Valves
- ◆ BSP Female Ends — ½” to 2” from Stock



AVA Electric Actuated Ball Valve | Basic 2 Way Brass

Suitable Applications & Approvals:



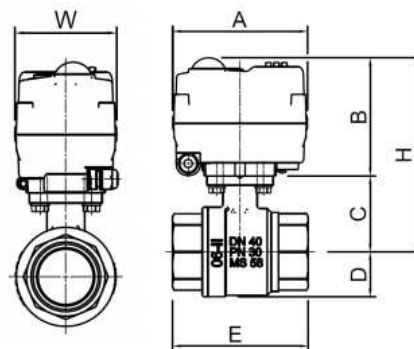
Manufacturer:



AVA basic actuators offer entry level actuator series with a 'Basic' on off and failsafe functionality. Our Smart series offers the addition of an OLED screen with actuator status display, input command display and menu system to customise the actuator functions. This includes changing the working time, working angle and accuracy. AVA smart actuators are available as on off, failsafe, modulating, modulating failsafe, BUS communication, hi speed and wireless.

AVA Actuated Valves - Sizes are in mm

| Size | A | W | E | B | Kit |
|------|-----|----|-----|------|-----|
| ¼" | 102 | 70 | 67 | 83.3 | 50 |
| ⅜" | 102 | 70 | 67 | 83.3 | 50 |
| ½" | 102 | 70 | 59 | 83.3 | 50 |
| ¾" | 102 | 70 | 69 | 83.3 | 50 |
| 1" | 102 | 70 | 83 | 83.3 | 50 |
| 1¼" | 102 | 70 | 94 | 83.3 | 50 |
| 1½" | 102 | 70 | 102 | 83.3 | 50 |
| 2" | 102 | 70 | 124 | 83.3 | 50 |



Note WRAS actuated valves up to 2" , non WRAS available up to 3" , call for details.

Available with a high / low temperature kit for applications where needed. See dimensions below, typically a kit will add 50mm on smaller sizes and 70mm on larger sizes.

TECHNICAL SPECIFICATIONS



T +44 (0)1386 552369

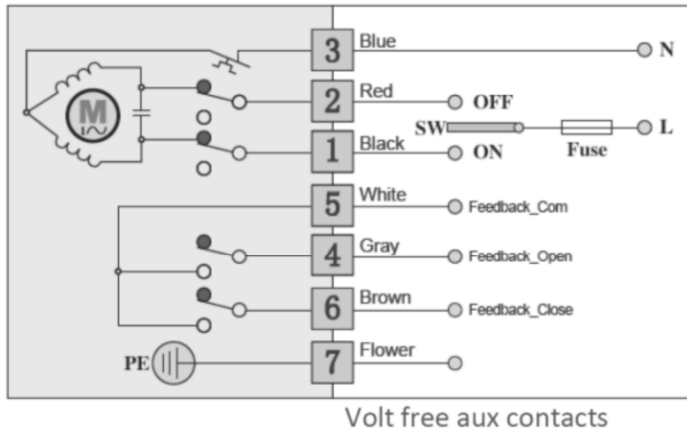
E sales@allvalves.co.uk

W www.allvalves.co.uk

F +44 (0)1386 554227

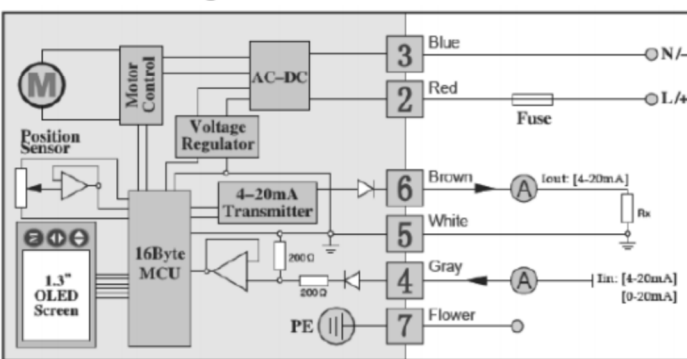


Basic & Smart On Off - Failsafe

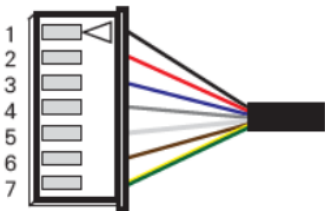


AVA actuators offer a 3 wire system with a permanent neutral on Blue, switchable Live between pins 2 (Red) and 1 (Black). Actuators are supplied with the a Pin connector as shown below as standard on model 20's. On model 60/110 the actuator has a terminal strip as standard.

Smart Modulating Actuators



AVA Modulating actuators are wired as shown on the left, image shows 4-20ma, check actuator datasheet for other wiring options. Actuators are supplied with the a Pin connector as shown below as standard on model 20's. On model 60/110 the actuator has a terminal strip as standard.



AVA actuators come with the white pin connector shown on the left, this is mainly for our benefit as this allows fast testing when used with our test boxes. This connector can either be utilised or cut to leave bare cable which need terminating. Note that this does NOT invalidate your warranty on the actuator.

IMPORTANT

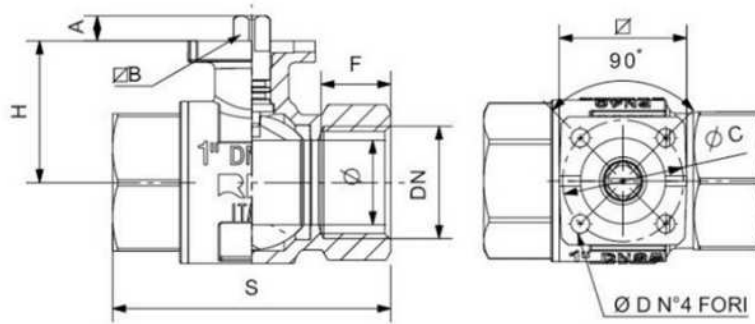
For Failsafe electric actuators, our 20 Series actuators use an internal capacitor to achieve the failsafe functionality. This means that when you first power the actuators, they will require an initial charge. This is not the same as the 60 /110 series that use a battery for failsafe. The capacitor only needs a 15-30 second initial charge or when first using after a period of time without using. The battery actuators are charged whilst powered and are supplied with charged batteries.





Dimensions

| Size | Ø | H | S | F | A | C | ISO | ØD | Ø | ØB | Kg |
|------|----|------|-----|----|------|----|-----|-----|----|----|-----|
| ½" | 15 | 31 | 59 | 17 | 7 | 36 | F03 | 5.5 | 38 | 9 | 0.3 |
| ¾" | 20 | 37 | 69 | 18 | 8 | 36 | F03 | 5.5 | 38 | 9 | 0.4 |
| 1" | 25 | 41 | 83 | 22 | 8 | 36 | F03 | 5.5 | 38 | 9 | 0.7 |
| 1¼" | 32 | 46.5 | 94 | 24 | 14.5 | 50 | F05 | 6.5 | 50 | 14 | 1.1 |
| 1½" | 40 | 58 | 102 | 24 | 14.5 | 50 | F05 | 6.5 | 50 | 14 | 1.4 |
| 2" | 50 | 65.5 | 124 | 28 | 14.5 | 50 | F05 | 6.5 | 50 | 14 | 2.2 |



Pressure / Temperature Specifications

| Pressure | PN40 | ½" to 2½" |
|----------|----------------|-----------|
| | PN25 | 3" |
| | PN16 | 4" |
| Temp. | -20°C to 160°C | ½" to ¾" |
| | -20°C to 95°C | ½" to 2" |
| | -10°C to 100°C | 2½" to 4" |

Material Specifications ¼" to 2"

| | |
|---------------------|----------------|
| Body | Brass CW 617 N |
| Body End | Brass CW 617 N |
| Ball | Brass CW 617 N |
| Stem | Brass CW 614 N |
| Ball Seat | PTFE |
| Anti-friction Seats | PTFE |
| O-Rings | FKM |

