



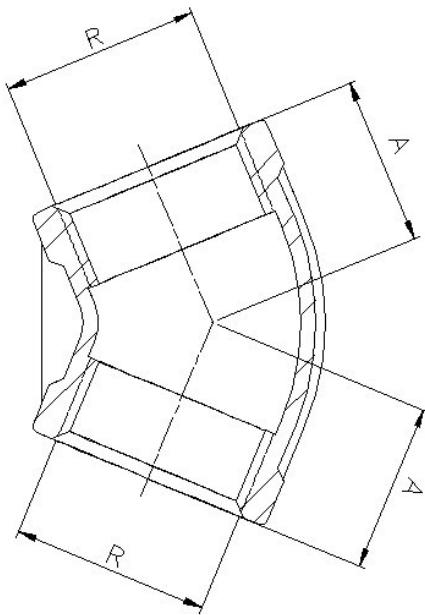
316 STAINLESS STEEL 150LB FITTINGS

GENEBRE PART: 0120N 45° ELBOW NPT



SPECIFICATIONS

1	Material AISI 316 (cast)
2	Thread according to ANSI B 2.1 NPT
3	Max working pressure 20 BAR (S-150)
4	Temperature range -20°C to + 220°C



45° ELBOW

REF	SIZE R mm	A mm
0120N 02	1/4"	19
0120N 03	3/8"	21
0120N 04	1/2"	22
0120N 05	3/4"	25
0120N 06	1"	28
0120N 07	1 1/4"	33
0120N 08	1 1/2"	36
0120N 09	2"	43
0120N 10	2 1/2"	50
0120N 11	3"	-
0120N 12	4"	-