

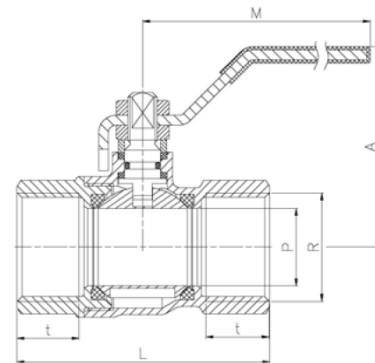
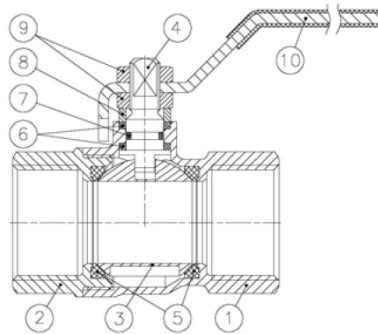
Main Features :-

Brass ball valve full bore
Brass construction to UNE EN 12165 chrome plated
Gas BSP threaded ends to ISO 228/1
Manually operated
Working temperature from -20C to + 110C
Maximum working pressure 40 bar (PN40)
PTFE Seats



TYPE: 3020 BALL VALVE

Dimensional Drawing:-



Nº	Denominación / Name	Material	Acabado Superficial / Surface Treatment
1	Cuerpo / Body	Latón / Brass (CW617N)	Granallado + Cromado / Peened + Chromed
2	Tapa / Cap	Latón / Brass (CW617N)	Granallado + Cromado / Peened + Chromed
3	Esfera / Ball	Latón / Brass (CW617N)	Cromado / Chrome plated
4	Eje / Stem	Latón / Brass (CW617N)	Cromado / Chrome plated
5	Asientos / Ball seats	PTFE	-
6	Anillo prensa / Stem packing	PTFE	-
7	Tórica / O-Ring	NBR	-
8	Anillo prensa / Stem ring	Latón / Brass	Cromado / Chrome plated
9	Tuerca / Nut	Latón / Brass	Cromado / Chrome plated
10	Maneta / Handle	Acero / Steel	Dacromet

Ref.	Medida / Size		Dimensiones / Dimensions (mm)					Peso / Weight	
	R	DN	P	A	L	M	t	(Kg)	
3020 02	1/4"	10	10	45	48	84	11.5	0,135	
3020 03	3/8"	10	10	45	50	84	12.5	0,135	
3020 04	1/2"	15	14	47	58	84	15.5	0,180	
3020 05	3/4"	20	19	58	65	98	16.5	0,285	
3020 06	1"	25	24	61	78	98	19.5	0,450	
3020 07	1 1/4"	32	30,5	74	88	126	20	0,715	
3020 08	1 1/2"	40	37,5	80	105	126	23.5	1,075	
3020 09	2"	50	47	91	122	158	25.5	1,645	

ISO 9001:2015 Accredited Company

Tel: +44(0)1386 552369

Fax: +44(0)1386 554227

sales@allvalves.co.uk

www.allvalves.co.uk

Allvalves Online Ltd, Automation House, Unit 2, Pershore, WR10 2DF UK

Dimensional Drawings and Additional Technical Specifications:-

DIAGRAMA PÉRDIDA DE CARGA / HEAD LOSS CHART

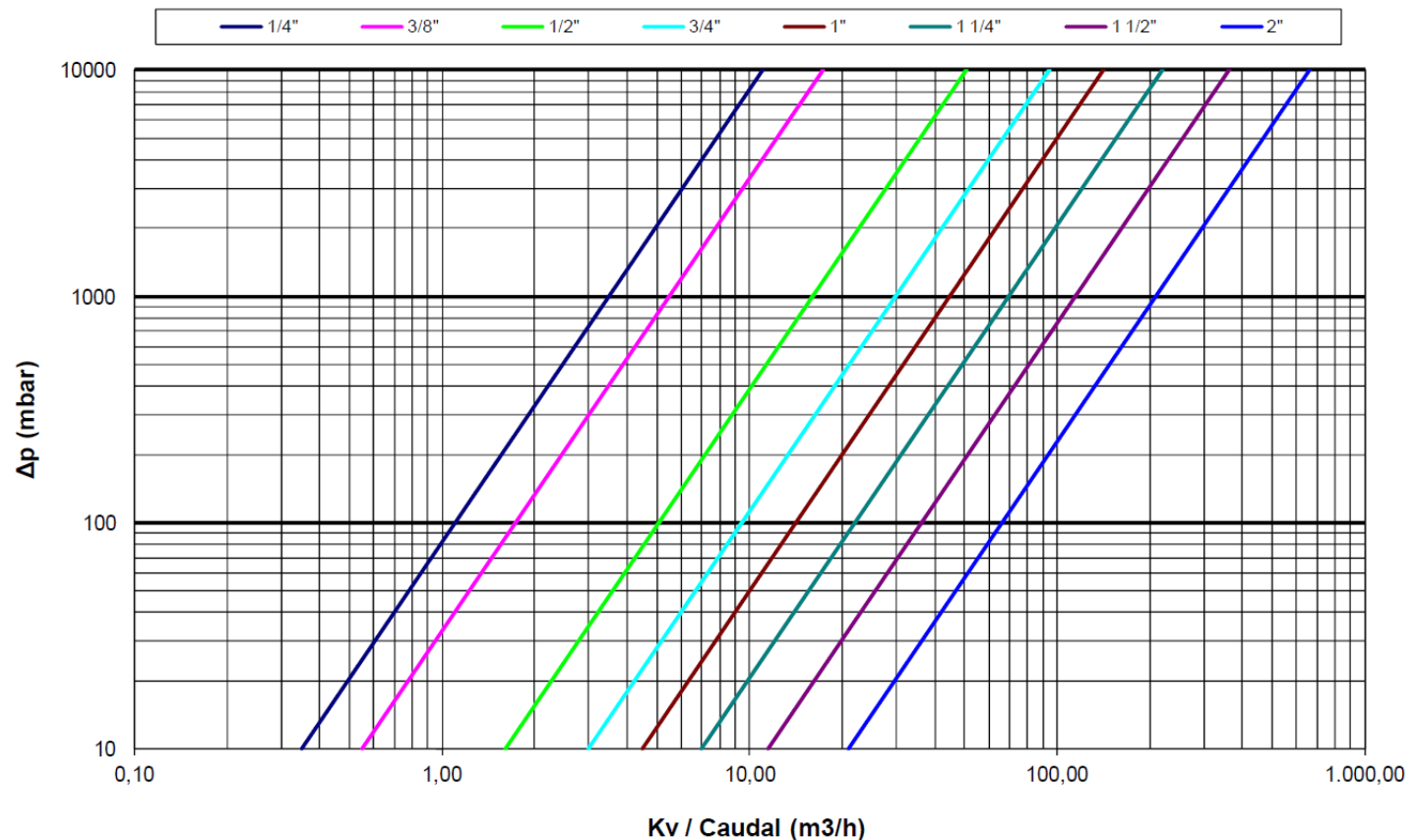
(Válvulas paso total roscadas / Threaded ends full bore ball valves)

Valores de Kv / Kv Values:

Kv = Es la cantidad de metros cúbicos por hora que pasará a través de la válvula generando una pérdida de carga de 1 bar.

Kv = The flow rate of water in cubic meters per hour that will generate a pressure drop of 1 bar across the valve.

Medida / Size	1/4"	3/8"	1/2"	3/4"	1"	1 1/4"	1 1/2"	2"
Kv	3.5	5.5	16	30	45	70	115	210



TYPE: 3020 BALL VALVE

ISO 9001:2015 Accredited Company

Tel: +44(0)1386 552369

Fax: +44(0)1386 554227

sales@allvalves.co.uk

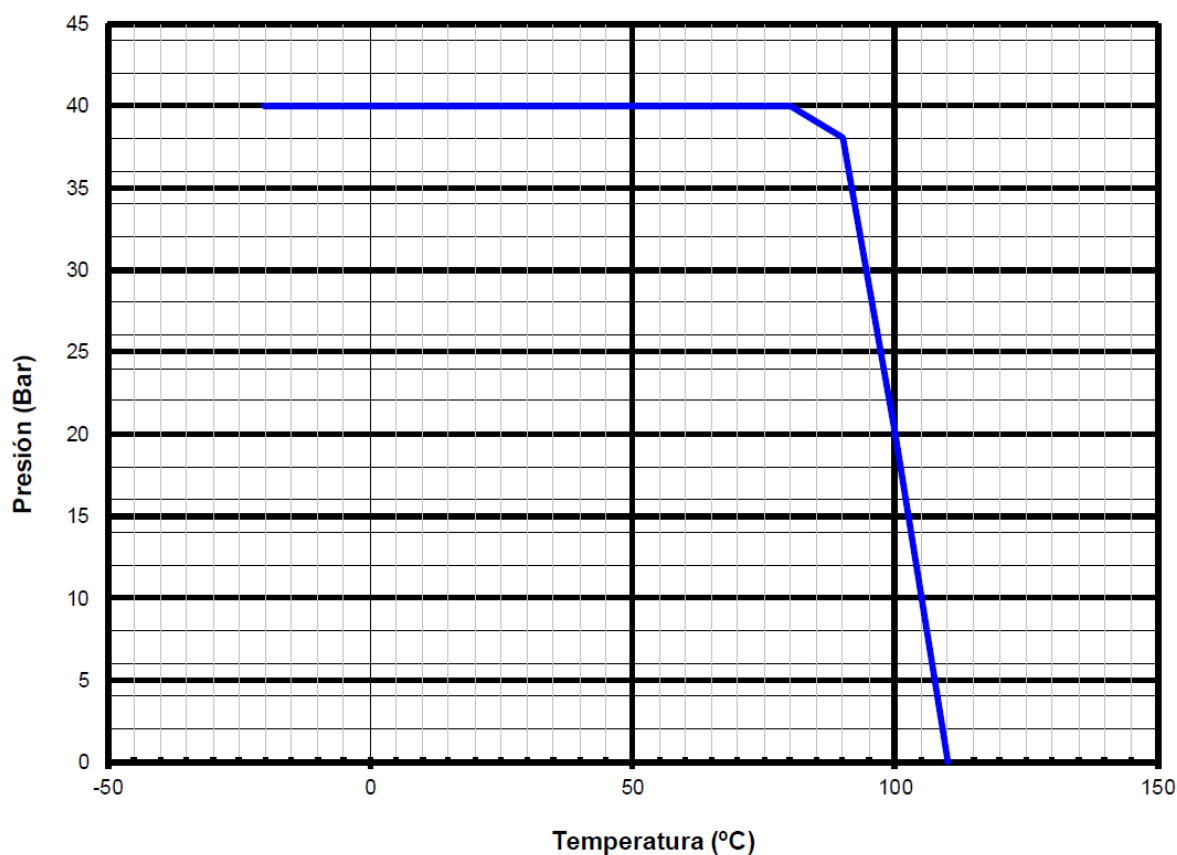
www.allvalves.co.uk

Allvalves Online Ltd, Automation House, Unit 2, Pershore, WR10 2DF UK

Product Documentation and Certification

TYPE: 3020 BALL VALVE

CURVA PRESIÓN - TEMPERATURA / PRESSURE - TEMPERATURE RATING



ISO 9001:2015 Accredited Company

Tel: +44(0)1386 552369

Fax: +44(0)1386 554227

sales@allvalves.co.uk

www.allvalves.co.uk

Allvalves Online Ltd, Automation House, Unit 2, Pershore, WR10 2DF UK