

### Main Features :-

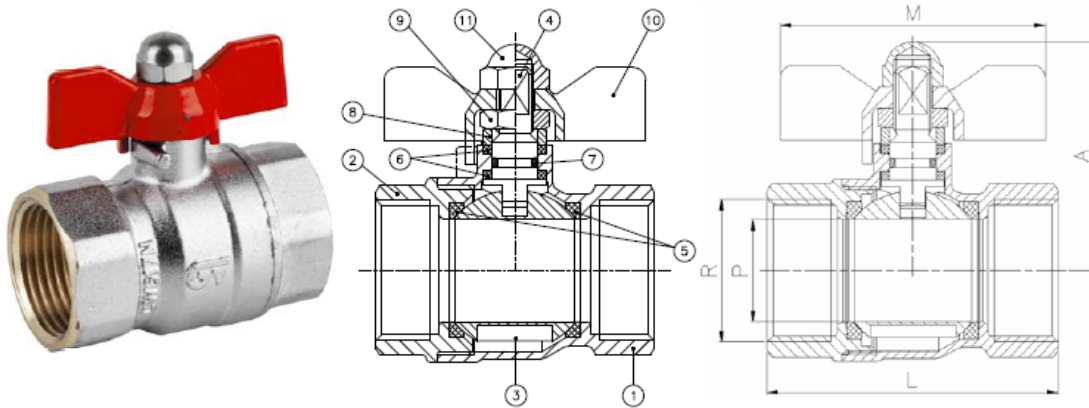
Brass ball valve full bore
Brass construction to UNE EN 12165 chrome plated
BSP threaded female x male ends to ISO 228/1
Manually operated
Working temperature from -20C to + 110C
Maximum working pressure 25bar (PN25)
PTFE Seats



**GENEBRE**  
be water, be Genebre

TYPE: 3037 BALL VALVE

### Dimensional Drawing:-



Nº	Denominación / Name	Material	Acabado Superficial / Surface Treatment
1	Cuerpo / Body	Latón / Brass (CW617N)	Granallado + Cromado / Peened + Chromed
2	Tapa / Cap	Latón / Brass (CW617N)	Granallado + Cromado / Peened + Chromed
3	Esfera / Ball	Latón / Brass (CW617N)	Cromado / Chrome plated
4	Eje / Stem	Latón / Brass (CW617N)	Cromado / Chrome plated
5	Asientos / Ball seats	PTFE	-
6	A.prensa / Stem packing	PTFE	-
7	Tórica / O-Ring	NBR	-
8	Anillo prensa / Stem ring	Latón / Brass	Cromado / Chrome plated
9	Tuerca / Nut	Latón / Brass	Cromado / Chrome plated
10	Maneta / T-Handle	Aluminio / Aluminium	Pintado / Painted
11	Tuerca / Nut	Latón / Brass	Cromado / Chrome plated

Medida / Size	DN	Dimensiones / Dimensions (mm)				Peso / Weight (Kg)
R		P	A	L	M	
1/4"	10	10	38	40	50	0,090
3/8"	10	10	38	43	50	0,100
1/2"	15	14	40	49	50	0,145
3/4"	20	19	50	56	62	0,240
1"	25	24	53	68	62	0,360

ISO 9001:2015 Accredited Company

Tel: +44(0)1386 552369

Fax: +44(0)1386 554227

sales@allvalves.co.uk

www.allvalves.co.uk

Allvalves Online Ltd, Automation House, Unit 2, Pershore, WR10 2DF UK

### Dimensional Drawings and Additional Technical Specifications:-

#### DIAGRAMA PÉRDIDA DE CARGA / HEAD LOSS CHART

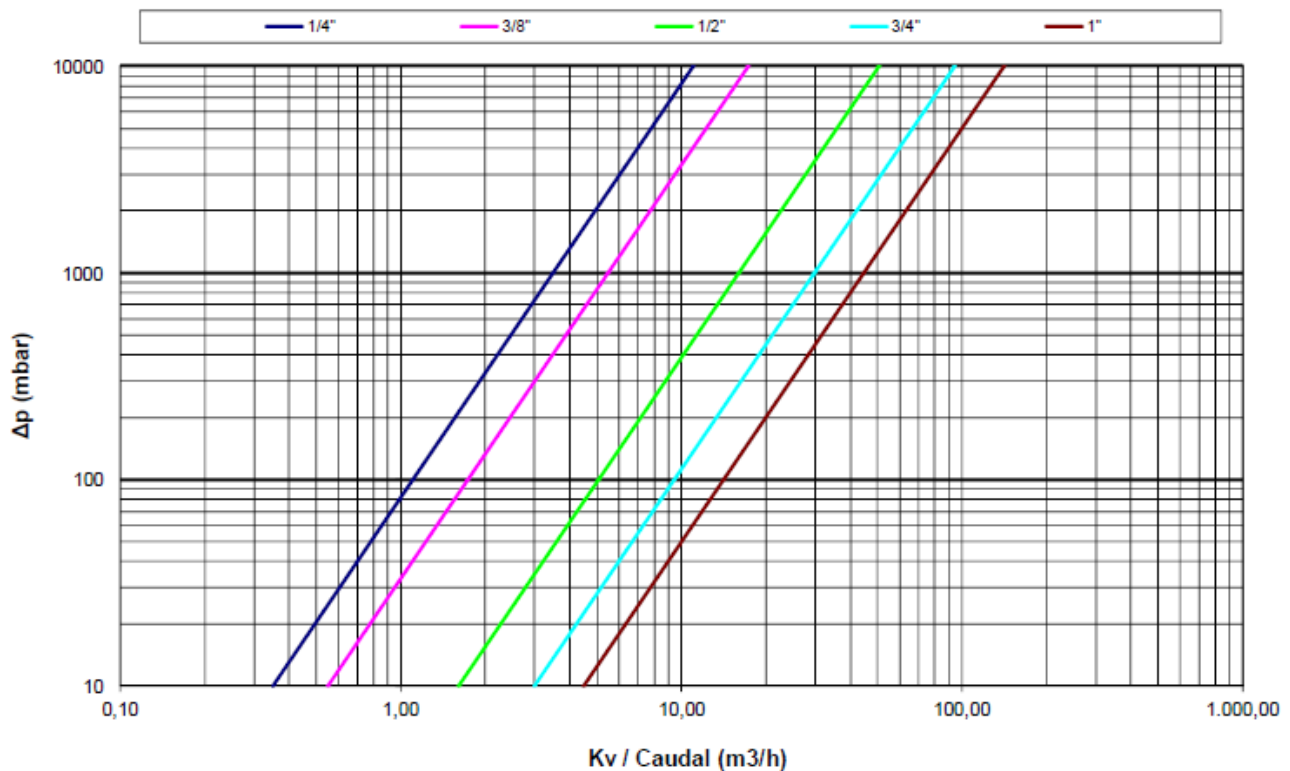
(Válvulas paso total roscadas / Threaded ends full bore ball valves)

#### Valores de Kv / Kv Values:

Kv = Es la cantidad de metros cúbicos por hora que pasará a través de la válvula generando una pérdida de carga de 1 bar.

Kv = The flow rate of water in cubic meters per hour that will generate a pressure drop of 1 bar across the valve.

Medida / Size	1/4"	3/8"	1/2"	3/4"	1"
Kv	3.5	5.5	16	30	45



TYPE: 3036 BALL VALVE

ISO 9001:2015 Accredited Company

Tel: +44(0)1386 552369

Fax: +44(0)1386 554227

sales@allvalves.co.uk

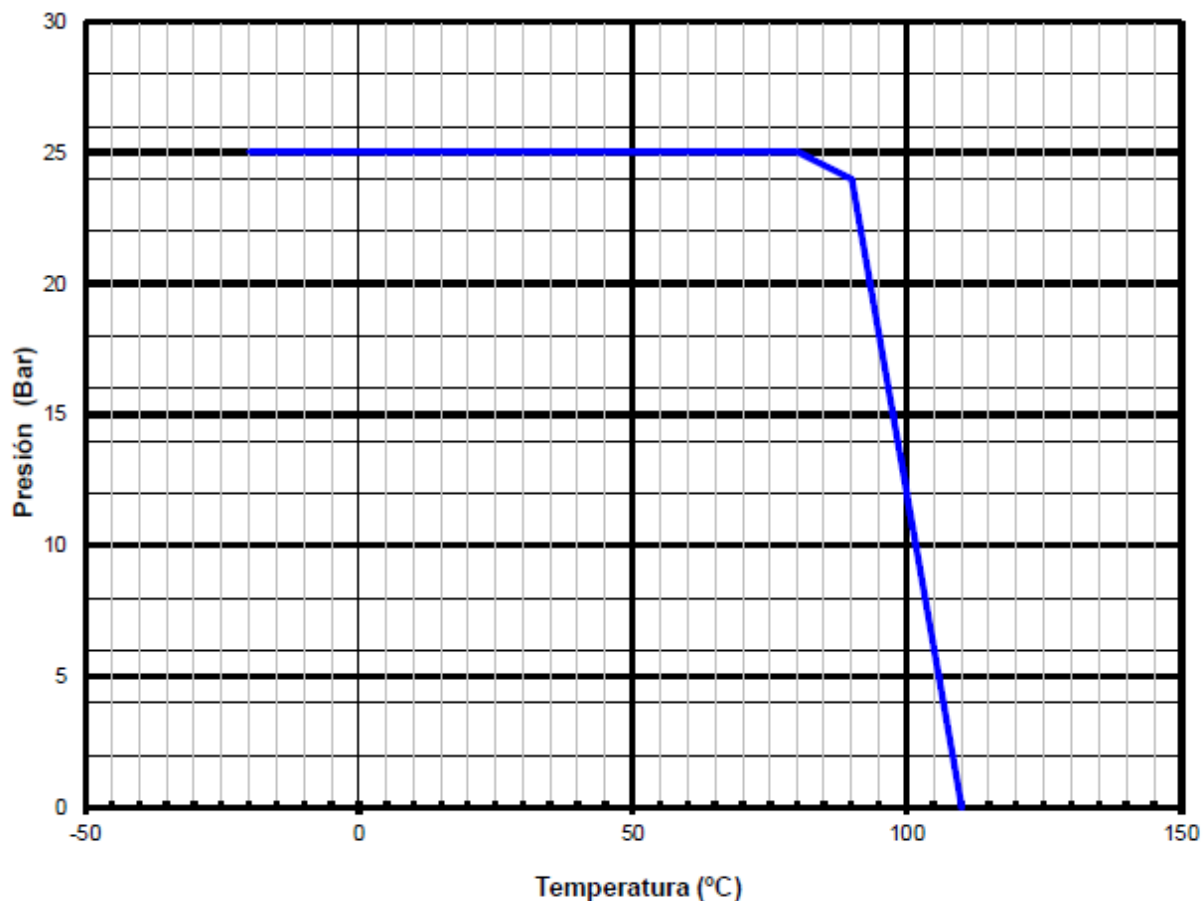
www.allvalves.co.uk

Allvalves Online Ltd, Automation House, Unit 2, Pershore, WR10 2DF UK

### Product Documentation and Certification

TYPE: 3036 BALL VALVE

### CURVA PRESIÓN - TEMPERATURA / PRESSURE - TEMPERATURE RATING



ISO 9001:2015 Accredited Company

Tel: +44(0)1386 552369

Fax: +44(0)1386 554227

[sales@allvalves.co.uk](mailto:sales@allvalves.co.uk)

[www.allvalves.co.uk](http://www.allvalves.co.uk)

Allvalves Online Ltd, Automation House, Unit 2, Pershore, WR10 2DF UK