



Main Features:-

- ◆ Lugged PN10, Cast Iron Powder Coated Body
- ◆ 304 Stainless Steel Gate, EPDM Seat
- ◆ Unidirectional, Double Acting Actuator
- ◆ Rated PN10 2" to 12"
- ◆ Temperature -10°C to 130°C

*Temperature and pressure determined by valve body, seat etc.



Suitable Applications & Approvals:



INDUSTRY

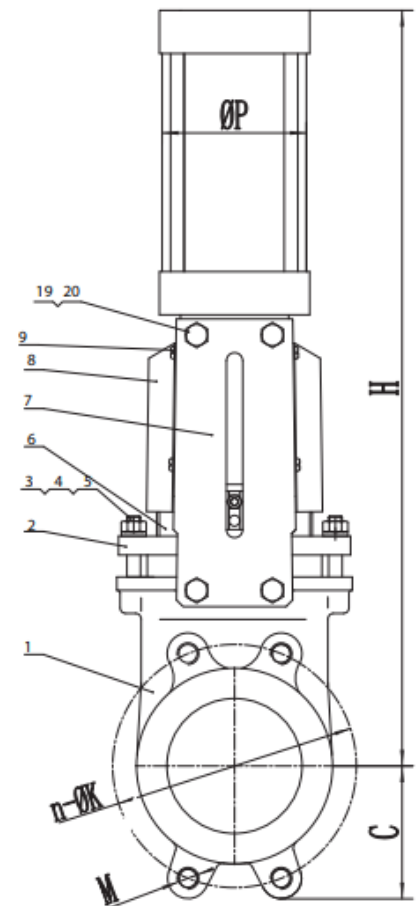
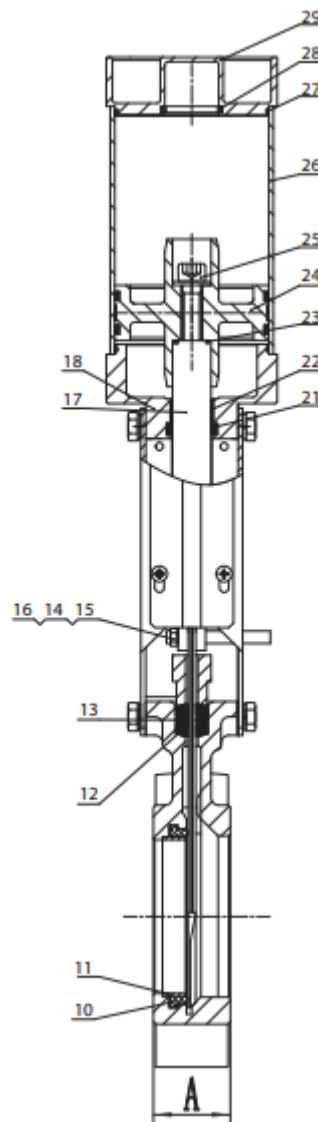
SERIES: 40009Q-N

MANUFACTURER:



VALVE DIMENSIONS

No	Name	Materials
1	Body	GGG40 Cast Iron
2	Packing Gland	GGG40 Cast Iron
3	Nut	Steel
4	Washer	Steel
5	Stud A Bolt	Steel
6	Gate	304 SS
7	Plate Stay	Q235 Steel
8	Safety Guards	SS 304
9	Screw	Steel
10	Seat	EPDM
11	SS Ring	SS 304
12	Packing	PTFE
13	O'Ring	NBR
14	SS Bolt	SS 304
15	Polyamide Nut	SS 304
16	Indicator	SS 304
17	Stem	45 Chrome Plated Steel
18	Connect Seat	ZG200-400 Steel
19	Bolt	Steel
20	Spring Washer	Steel
21	Dust Proof Sealing	NBR
22	Oil Bearing	Composite Material
23	Stem Gasket	NBR
24	Piston	Aluminium
25	Socket Bolt & Spring Washer	45 Steel
26	Cylinder Shell	Aluminium
27-28	Sealing Ring & Cushion Seal	NBR
29	Cylinder Cover	Aluminium



T +44 (0)1386 552369

W www.allvalves.co.uk

E sales@allvalves.co.uk

F +44 (0)1386 554227





AVOL valves are our range of industrial valves selected by our experienced technical sales team.

SERIES: LV9995

Size	A	C	H	Air Inlets	P	n	K	M
2"	40	60	417	1/4"	100	4	125	4 M16
2 1/2"	40	65	433	1/4"	100	4	145	4 M16
3"	50	88	560	1/4"	100	8	160	4 M16
4"	50	100	655	1/4"	100	8	180	4 M16
5"	50	113	655	1/4"	125	8	210	4 M16
6"	60	128	730	1/4"	125	8	240	4 M20
8"	60	155	918	1/4"	160	8	295	4 M20
10"	70	195	1072	3/8"	200	12	350	6 M20
12"	80	216	1465	3/8"	200	12	400	6 M20

ALL VALVES ONLINE

Offering a full range of actuated valve packages, manual valve range, pipe fittings and pumps, we have a product for all your requirements. As an ISO 9001-2015 Quality Approved and certified company, All Valves offer a quality service from pre-sale to post sale. Shipping millions of pounds in value of manual valve and actuated valve packages all over the world since its formation, All Valves are a trusted valve and actuator supplier to many companies all over the world. Working with the leading brands in most industries.

VALVE DIMENSIONS



T +44 (0)1386 552369

E sales@allvalves.co.uk

W www.allvalves.co.uk

F +44 (0)1386 554227