



Main Features:-

- ◆ Lugged PN10, Cast Iron Powder Coated Body
- ◆ 304 Stainless Steel Gate, EPDM Seat
- ◆ Unidirectional, Rising Stem, Lever op.
- ◆ Rated PN10 2" to 8"
- ◆ Temperature -10°C to 120°C

*Temperature and pressure determined by valve body, seat etc.



Suitable Applications & Approvals:



INDUSTRY

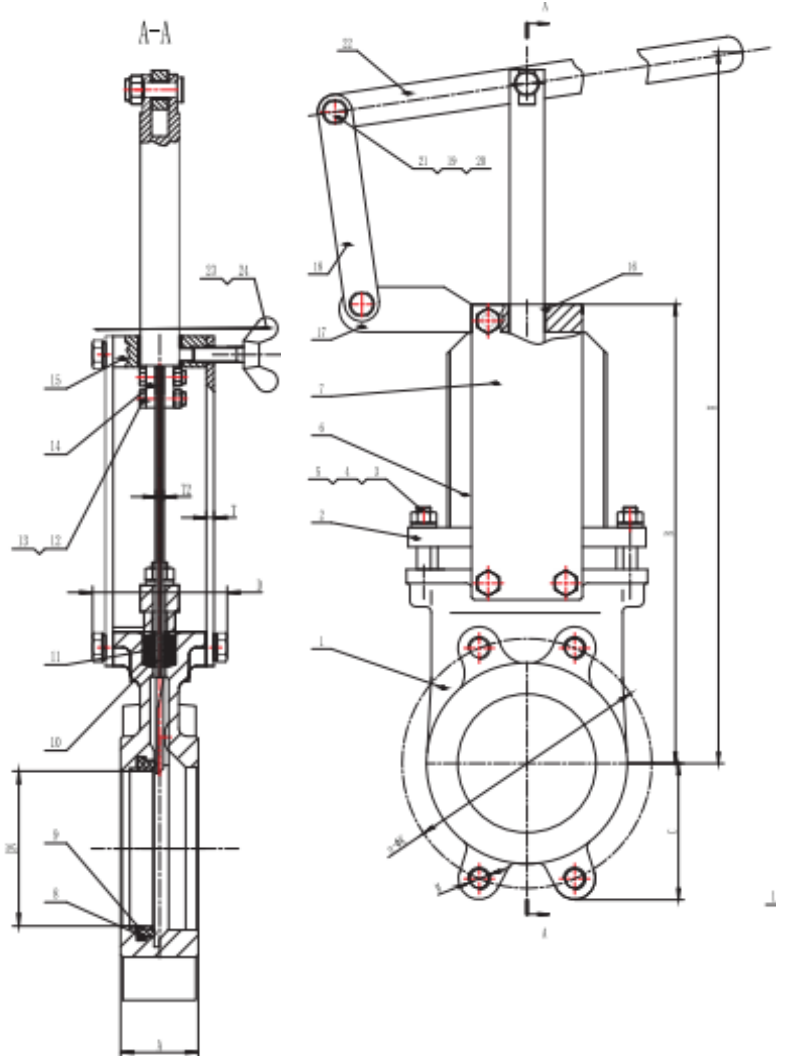
SERIES: 40008

MANUFACTURER:



VALVE DIMENSIONS

No	Name	Materials
1	Body	GGG40
2	Valve Cap	GG25
3	Nut	Steel
4	Washer	Steel
5	Stud A Bolt	Steel
6	Gate	SS 304
7	Plate Stay	Steel
8	L Sealing	EPDM
9	Sealing	SS 304
10	Seat	PTFE
11	O Sealing Ring	NBR
12	Bolt	SS 304
13	Nut	SS 304
14	Stem	SS 304
15	Connect Seat	Steel
16	Oil Bearing	Composite Material
17	Hand Lever 1	Steel
18	Hand Lever 2	Steel
19	Hinge Pin	SS 304
20	Oil Bearing	Composite Material
21	Lock Nut	SS 304
22	Hand Lever 2	Steel
23	Fastening Bolt	SS 304
24	Lock Stick	Aluminium



T +44 (0)1386 552369

E sales@allvalves.co.uk

W www.allvalves.co.uk

F +44 (0)1386 554227



Knife Gate Valves

ALLVALVES
O N L I N E



AVOL valves are our range of industrial valves selected by our experienced technical sales team.

SERIES: 40008

DN	A	B	C	D	H	n	M	T	T2	Kg
2"	40	TBC	TBC	TBC	TBC	TBC	TBC	TBC	TBC	7
2 1/2"	40	TBC	TBC	TBC	TBC	TBC	TBC	TBC	TBC	7.5
3"	50	284	92	87	513	8	M16	5	5	8.5
4"	50	331	105	87	672	8	M16	5	5	10
5"	50	361	120	98	760	8	M16	5	6	12
6"	60	413	130	98	828	8	M20	5	6	14.5
8"	60	520	160	123	1064	8	M20	8	8	32

ALL VALVES ONLINE

Offering a full range of actuated valve packages, manual valve range, pipe fittings and pumps, we have a product for all your requirements. As an ISO 9001-2015 Quality Approved and certified company, All Valves offer a quality service from pre-sale to post sale. Shipping millions of pounds in value of manual valve and actuated valve packages all over the world since its formation, All Valves are a trusted valve and actuator supplier to many companies all over the world. Working with the leading brands in most industries.

VALVE DIMENSIONS



T +44 (0)1386 552369

E sales@allvalves.co.uk

W www.allvalves.co.uk

F +44 (0)1386 554227