



## Main Features:-

- ◆ Brass Y-type Strainer
- ◆ Compression Ends
- ◆ Stainless Steel Mesh
- ◆ Temperature -10°C to 110°C
- ◆ Contact Sales For More Info

\*Temperature and pressure determined by valve body, seat etc.

## Suitable Applications & Approvals:



INDUSTRY

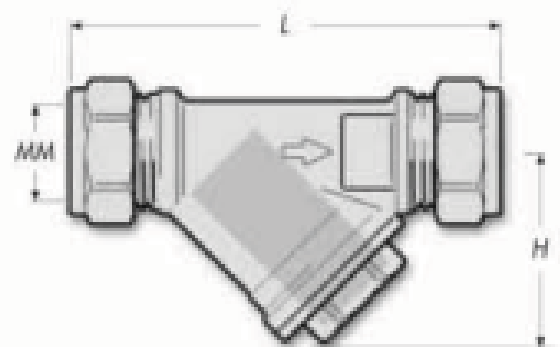


## SERIES: 30179

MANUFACTURER: **AVOL**  
INDUSTRIAL VALVES

### Name Materials

Body	Brass
Mesh	Stainless Steel



mm	L	H	Kg
15	79	36	0.16
22	99	42	0.3

## ALL VALVES ONLINE

Offering a full range of actuated valve packages, manual valve range, pipe fittings and pumps, we have a product for all your requirements. As an ISO 9001-2015 Quality Approved and certified company, All Valves offer a quality service from pre-sale to post sale.

VALVE DIMENSIONS



T +44 (0)1386 552369

E sales@allvalves.co.uk

W www.allvalves.co.uk

F +44 (0)1386 554227