



Main Features:-

- ◆ Flanged PN16
- ◆ Stainless Steel Body, Cover & Screen
- ◆ 1" 1.5mm Mesh, 1½" to 6" 2mm Mesh
- ◆ Rated PN16
- ◆ Temperature -20°C to 180°C

*Temperature and pressure determined by valve body, seat etc.



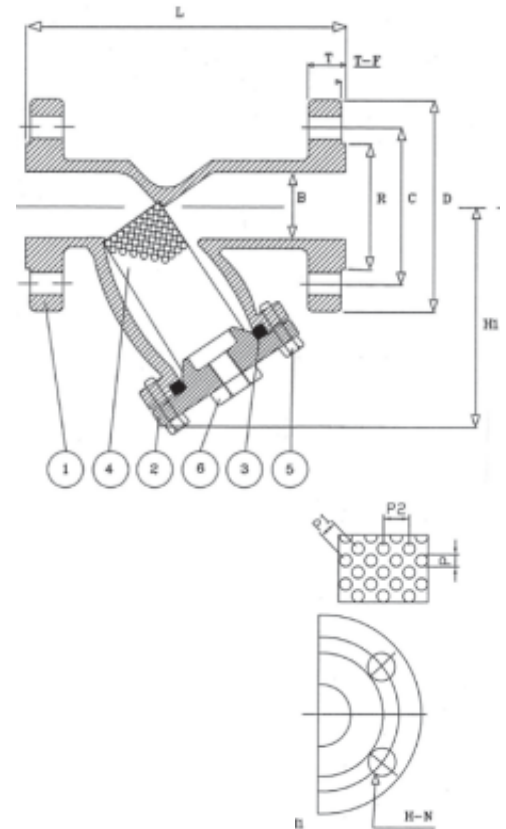
Suitable Applications & Approvals:



SERIES: 30177

MANUFACTURER: **AV@L**
INDUSTRIAL VALVES

Name	Material
Body	CF8M
Cover	CF8M
Gasket	PTFE
Screen	SUS 316
Gland Bolt	SUS 304
Drain Plug	SUS 316



VALVE DIMENSIONS

Size	DN	L	D	C	B	T	R	F	H	N	H1	Kg
1"	25	160	115	85	25	16	68	1	14	4	95	3.4
1½"	40	200	150	110	40	16	88	2	18	4	128	6.2
2"	50	230	165	125	50	18	102	2	18	4	167	9
2½"	65	290	185	145	65	18	122	2	18	4	183	16.8
3"	80	310	200	160	80	20	138	2	18	8	200	18.4
4"	100	350	220	180	100	20	158	2	18	8	230	23
6"	150	480	285	240	150	22	212	2	22	8	316	48
8"	200	600	340	295	200	24	268	2	22	12	450	98
10"	250	730	405	355	250	26	320	2	26	12	500	145
12"	300	805	460	410	300	28	370	3	26	12	600	216

Screen Specifications

Nominal Size	Perforation		Pitch Holes		Screen Thick-ness
	P	P1	P2		
1"	1.5	2.5	4		0.4
1½" - 6"	2	3.8	7		0.5

Strainer Size Drain Plug Thread specification

1½" - 6"

1/2 BSPT

T +44 (0)1386 552369

E sales@allvalves.co.uk

W www.allvalves.co.uk

F +44 (0)1386 554227





Strainers

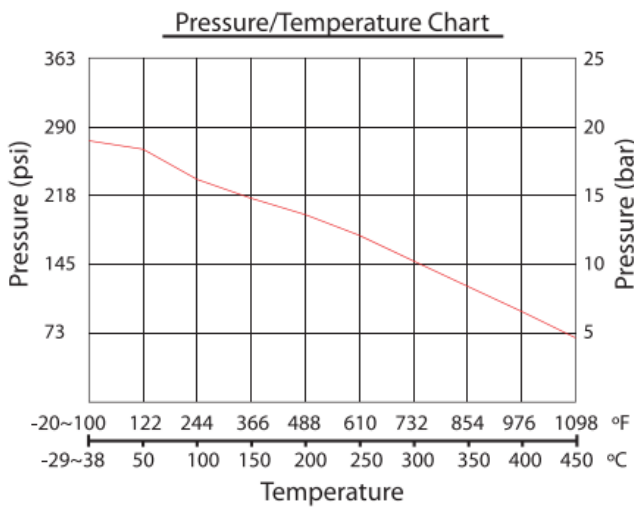
ALLVALVES
O N L I N E

AVOL
INDUSTRIAL VALVES

AVOL valves are our range of industrial valves selected by our experienced technical sales team.

SERIES: 30177

Body Pressure/ Temperature Chart



ALL VALVES ONLINE

Offering a full range of actuated valve packages, manual valve range, pipe fittings and pumps, we have a product for all your requirements. As an ISO 9001-2015 Quality Approved and certified company, All Valves offer a quality service from pre-sale to post sale. Shipping millions of pounds in value of manual valve and actuated valve packages all over the world since its formation, All Valves are a trusted valve and actuator supplier to many companies all over the world. Working with the leading brands in most industries.

VALVE DIMENSIONS



T +44 (0)1386 552369

E sales@allvalves.co.uk

W www.allvalves.co.uk

F +44 (0)1386 554227