



Main Features:-

- ◆ Screwed BSPP
- ◆ Stainless Steel Body, Cover & Disc
- ◆ 200psi Rated
- ◆ Temperature -20°C to 176°C
- ◆ Available NPT

*Temperature and pressure determined by valve body, seat etc.

Suitable Applications & Approvals:



INDUSTRY



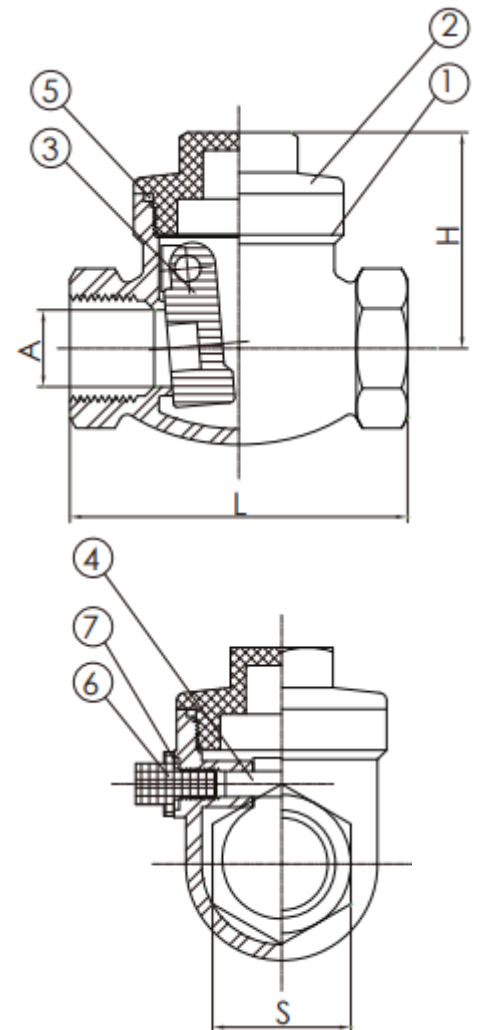
SERIES: 30153

MANUFACTURER: **AVOL**
INDUSTRIAL VALVES

VALVE DIMENSIONS

Name	Material
Body	CF8M
Cover	CF8M
Disc	CF8M
Hinge Pin	AISI 316
Gasket	PTFE
Plug	AISI 316
Plug Gasket	PTFE

Size	A	H	L	S	Kg
1/4"	10	42	63	27	0.25
3/8"	12	42	63	27	0.25
1/2"	15	42	65	27	0.25
3/4"	20	51	80	32	0.45
1"	25	60	90	41	0.60
1 1/4"	32	67	105	50	0.75
1 1/2"	40	75	120	58	1.05
2"	50	81	140	70	1.6
2 1/2"	65	93	190	86	4.73
3"	80	104	200	102	7.26



ALL VAVES ONLINE

Offering a full range of actuated valve packages, manual valve range, pipe fittings and pumps, we have a product for all your requirements. As an ISO 9001-2015 Quality Approved and certified company, All Valves offer a quality service from pre-sale to post sale.



T +44 (0)1386 552369

E sales@allvalves.co.uk

W www.allvalves.co.uk

F +44 (0)1386 554227