



Main Features:-

- ◆ To Fit ANSI 150 Flanges
- ◆ Stainless Steel Body, Disc & Spring
- ◆ Viton Seat
- ◆ Rated PN10,
- ◆ Temperature -10°C to 150°C

*Temperature and pressure determined by valve body, seat etc.



Suitable Applications & Approvals:



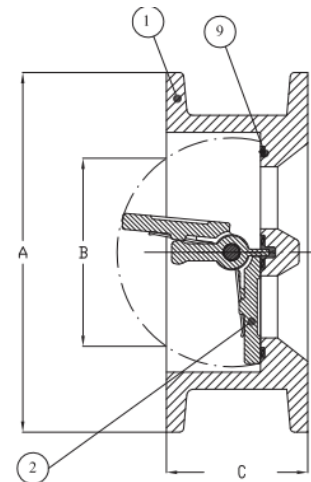
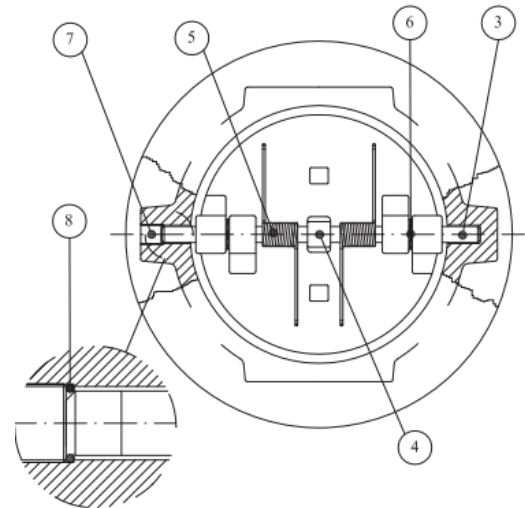
SERIES: 30150

MANUFACTURER: **AV** INDUSTRIAL VALVES

Name

Material

Body	AISI 316	
Plates	AISI 316	
Shaft	AISI 316 2" to 6"	AISI 304 8" to 12"
Key	AISI 316 2" to 6"	AISI 304 8" to 12"
Springs	AISI 316 2" to 6"	AISI 304 8" to 12"
Washer	AISI 316 2" to 6"	AISI 304 8" to 12"
Plug	AISI 316 2" to 6"	AISI 304 8" to 12"
O'Rings	Viton	
Seat	Viton	



VALVE DIMENSIONS

Size	A	B	C	Kv	Crack. Pressure.	Kg
2"	104	46	43	44	3.21	1.2
2 1/2"	124	62	46	90	3.05	1.9
3"	137	70	64	135	2.85	3
4"	166	90	64	333	2342	4
6"	220	130	76	803	1.95	8.5
8"	275	195	89	1435	1.55	15
10"	338	245	114	2905	1.43	25
12"	405	292	114	3504	1.29	34

ALL VAVES ONLINE

Offering a full range of actuated valve packages, manual valve range, pipe fittings and pumps, we have a product for all your requirements. As an ISO 9001-2015 Quality Approved and certified company, All Valves offer a quality service from pre-sale to post sale.



T +44 (0)1386 552369

E sales@allvalves.co.uk

W www.allvalves.co.uk

F +44 (0)1386 554227