



## Main Features:-

- ◆ PN10/16
- ◆ Stainless Steel Jacket
- ◆ Full PTFE Lined Body, PTFE Disc
- ◆ Maximum Pressure 6 Bar
- ◆ Maximum Temperature 180°C

\*Temperature and pressure determined by valve body, seat etc.

## Suitable Applications & Approvals:



INDUSTRY

## SERIES: 30144

MANUFACTURER:

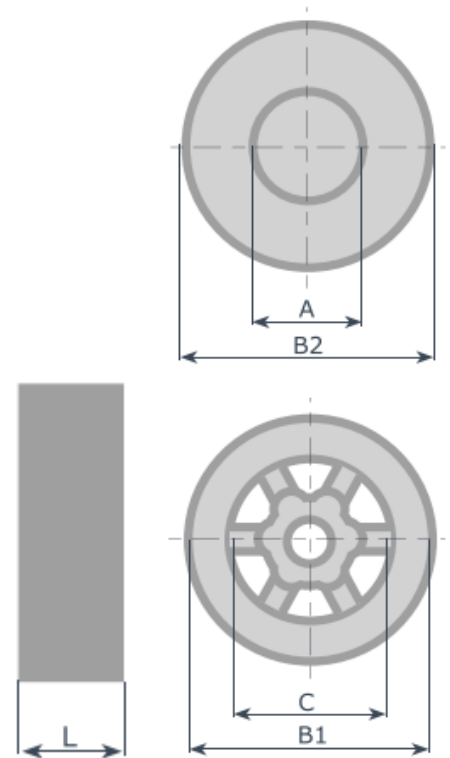
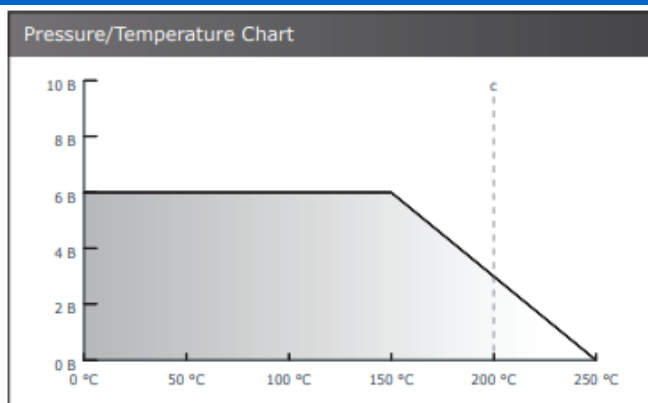


VALVE DIMENSIONS

Size	A	B1	B2	C	L	Kg
1/2"	15	44	50	30	16	0.11
3/4"	20	54	60	38	19	0.16
1"	25	64	70	40	22	0.24
1 1/4"	32	75	80	56	28	0.32
1 1/2"	38	85	90	65	32	0.4
2"	47	96	107	78	40	1
2 1/2"	63	116	130	95	46	1.4
3"	79	133	140	100	50	1.7
4"	96	154	162	120	60	2.2

Name	Material
Body	PTFE
Disc	PTFE
Seat	PTFE
Spring	PTFE Coated AISI 316 SS
Jacket	AISI 304 SS

## Pressure/ Temperature Chart



## ALL VALVES ONLINE

AllValves Online™ have used decades of experience in the valve industry to select a range of products that match the Allvalves Online ethos - value for money. All Valves Products are from reputable sources and have been sold in significant quantities for many years, are installed in a wide variety of applications.

T +44 (0)1386 552369

E sales@allvalves.co.uk

W www.allvalves.co.uk

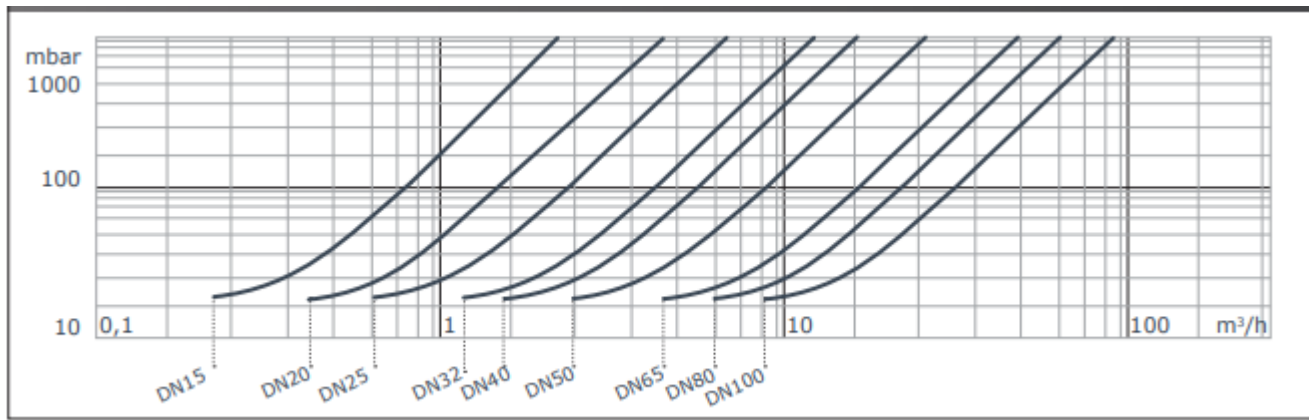
F +44 (0)1386 554227



AVOL valves are our range of industrial valves selected by our experienced technical sales team.

SERIES: 30144

## Headloss Chart



VALVE DIMENSIONS

### ALL VAVES ONLINE

Offering a full range of actuated valve packages, manual valve range, pipe fittings and pumps, we have a product for all your requirements. As an ISO 9001-2015 Quality Approved and certified company, All Valves offer a quality service from pre-sale to post sale. Shipping millions of pounds in value of manual valve and actuated valve packages all over the world since its formation, All Valves are a trusted valve and actuator supplier to many companies all over the world. Working with the leading brands in most industries.



T +44 (0)1386 552369

E sales@allvalves.co.uk

W www.allvalves.co.uk

F +44 (0)1386 554227