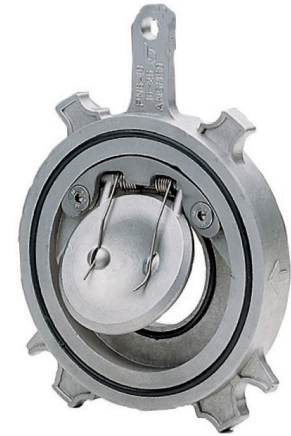




## Main Features:-

- ◆ To Fit PN6/10/16/25 & ANSI 150
- ◆ Stainless Steel Body, Disc & Spring
- ◆ PN25 2" to 4"
- ◆ PN16 5" to 8"
- ◆ Seats NBR, PTFE or Viton

\*Temperature and pressure determined by valve body, seat etc.



## SERIES: 3013x

### Suitable Applications & Approvals:



INDUSTRY

30136 30138

NBR PTFE

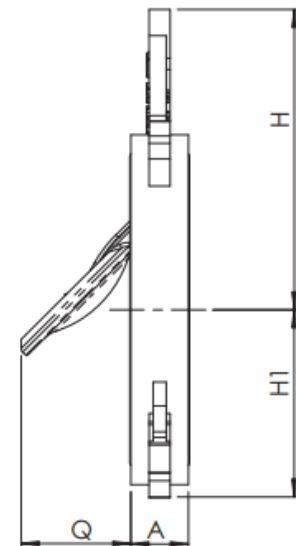
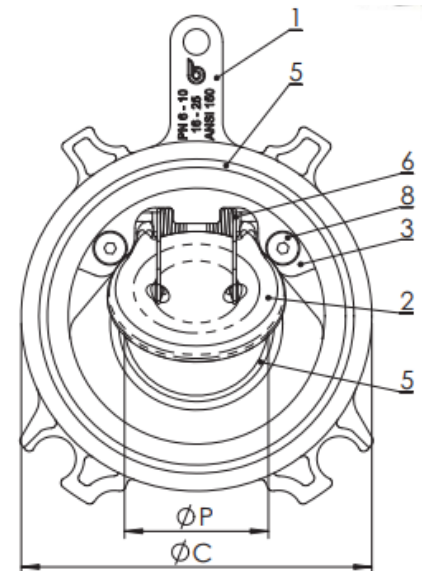
30137

Viton

MANUFACTURER:



Size	P	A	C	H	Hl	Q	Kg
1 1/4"	20	16	77	83.5	45	18	0.43
1 1/2"	26.5	16	86.5	88.75	49	21	0.54
2"	33	18.5	99	98.5	53	30	0.82
2 1/2"	43	18.5	118	107	63	44	1.25
3"	53	22	134	115	73	56	1.86
4"	75	23.5	154	131	92	70	2.42
5"	96	29	184	138	119	80	3.1
6"	118	34.5	208	137	149	96	5.3
8"	164	36	264	169	167	125	8.5
10"	200	38	317	247	140	169	12.4



VALVE DIMENSIONS

No	Name	Material
1	Body	ASTM A351 Gr. CF8M
2	Disc	ASTM A351 Gr. CF8M
3	Plate	ASTM A351 Gr. CF8M
5	O'Ring	NBR/ PTFE/ VITON
6	Spring	AISI 302
7	Eyebolt	AISI 316
8	Screw	A2 SS

### Seat Material

### Temperature Range

NBR	-10°C to 100°C
Viton	-10°C to 150°C
PTFE	-10°C to 200°C

T +44 (0)1386 552369

E sales@allvalves.co.uk

W www.allvalves.co.uk

F +44 (0)1386 554227





# Check Valves

**ALLVALVES**  
O N L I N E



AVOL valves are our range of industrial valves selected by our experienced technical sales team.

**SERIES: 3013x**

## Kv / Cracking Pressure Information

Size	Kv	W/ Spring ↑	W/ Spring →	No Spring ↑
1 1/4"	13	321	242	80
1 1/2"	24	210	138	73
2"	41	194	126	70
2 1/2"	75	198	130	70
3"	140	196	120	76
4"	208	174	106	68
5"	341	226	126	100
6"	525	230	130	100
8"	1093	244	136	110
10"	1670	260	138	122

VALVE DIMENSIONS

## ALLVALVES ONLINE

Offering a full range of actuated valve packages, manual valve range, pipe fittings and pumps, we have a product for all your requirements. As an ISO 9001-2015 Quality Approved and certified company, All Valves offer a quality service from pre-sale to post sale. Shipping millions of pounds in value of manual valve and actuated valve packages all over the world since its formation, All Valves are a trusted valve and actuator supplier to many companies all over the world. Working with the leading brands in most industries.



T +44 (0)1386 552369

E sales@allvalves.co.uk

W www.allvalves.co.uk

F +44 (0)1386 554227