

Main Features:-

- ◆ Screwed BSPP
- ◆ Temperature -20°C to 176°C
- ◆ 200psi Rated
- ◆ Non-rising Stem, Handwheel Operation
- ◆ Also available in NPT

*Temperature and pressure determined by valve body, seat etc.

Suitable Applications & Approvals:



INDUSTRY

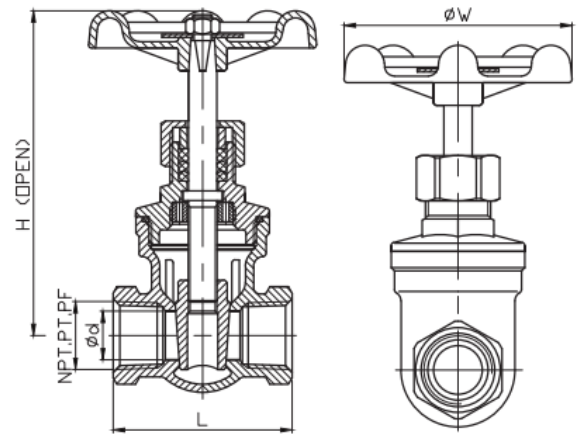
SERIES: 30115

MANUFACTURER:

AVOL
INDUSTRIAL VALVES

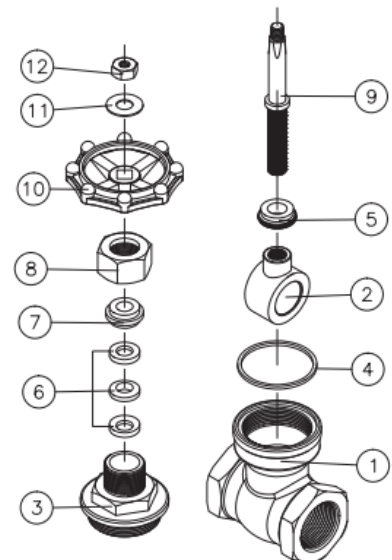
SIZE	d	L	H	W	Kg
1/2"	15	55	101	70	0.42
3/4"	20	60	108	70	0.52
1"	25	65	115	80	0.7
1 1/4"	32	75	132	80	1.01
1 1/2"	38	85	149	90	1.54
2"	50	95	175	100	2.06
2 1/2"	65	116	213	140	5.56
3"	80	130	241	140	8.63

* Also available in NPT, please ask our sales team.



VALVE DIMENSIONS

No.	Name	Material
1	Body	CF8M
2	Disc	CF8M
3	Bonnet	CF8M
4	Gasket	PTFE
5	Whorl Gasket	SS 304
6	Packing	PTFE
7	Gland	SS 304
8	Cap Nut	VF8M
9	Stem	SS 316
10	Handle	Aluminium
11	Nameplate	Aluminium
12	Nut	SS 304



T +44 (0)1386 552369

E sales@allvalves.co.uk

W www.allvalves.co.uk

F +44 (0)1386 554227



SERIES: 30115

MANUFACTURER: **AVOL**
INDUSTRIAL VALVES

Pressure/ Temperature Chart



ALL VALVES

Offering a full range of actuated valve packages, manual valve range, pipe fittings and pumps, we have a product for all your requirements. As an ISO 9001-2015 Quality Approved and certified company, All Valves offer a quality service from pre-sale to post sale. Shipping millions of pounds in value of manual valve and actuated valve packages all over the world since its formation, All Valves are a trusted valve and actuator supplier to many companies all over the world. Working with the leading brands in most industries.

PRESSURE / TEMPERATURE / CV CHARTS



T +44 (0)1386 552369

E sales@allvalves.co.uk

W www.allvalves.co.uk

F +44 (0)1386 554227