



Main Features:-

- ◆ To fit PN16
- ◆ Carbon Steel Body
- ◆ Stainless Steel Disc, NBR Seat
- ◆ Rated PN16
- ◆ Temperature 0°C to 100°C

*Temperature and pressure determined by valve body, seat etc.

Suitable Applications & Approvals:



INDUSTRY



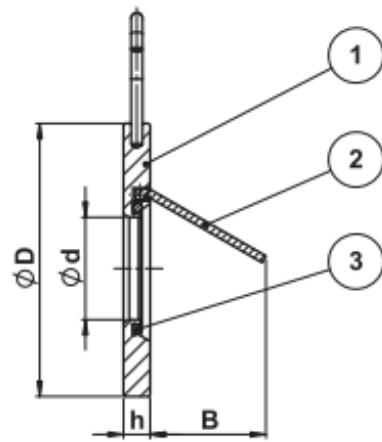
SERIES: 30103

MANUFACTURER: **AV@L**
INDUSTRIAL VALVES

Part Material

Body	Galvanized Carbon Steel
Disc	Stainless Steel
O-Ring	NBR

DN	B	ØD	h	Ød	Kg
50	35	109	14	32	0.9
65	48	129	14	40	1.2
80	60	144	14	54	1.5
100	78	164	18	70	2.4
125	98	195	18	92	3.4
150	117	220	18	112	4.2
200	160	275	22	154	7.5



ALL VALVES ONLINE

Offering a full range of actuated valve packages, manual valve range, pipe fittings and pumps, we have a product for all your requirements. As an ISO 9001-2015 Quality Approved and certified company, All Valves offer a quality service from pre-sale to post sale. Shipping millions of pounds in value of manual valve and actuated valve packages all over the world since its formation, All Valves are a trusted valve and actuator supplier to many companies all over the world. Working with the leading brands in most industries.

VALVE DIMENSIONS

T +44 (0)1386 552369

E sales@allvalves.co.uk

W www.allvalves.co.uk

F +44 (0)1386 554227

