



Main Features:-

- ◆ Flanged BSPP
- ◆ Stainless Steel Body, Cover & Disc
- ◆ Rated PN16
- ◆ Temperature -210°C to 220°C
- ◆ Floating Ball Available

*Temperature and pressure determined by valve body, seat etc.

Suitable Applications & Approvals:



SERIES: 30092

MANUFACTURER: **AVOL**
INDUSTRIAL VALVES

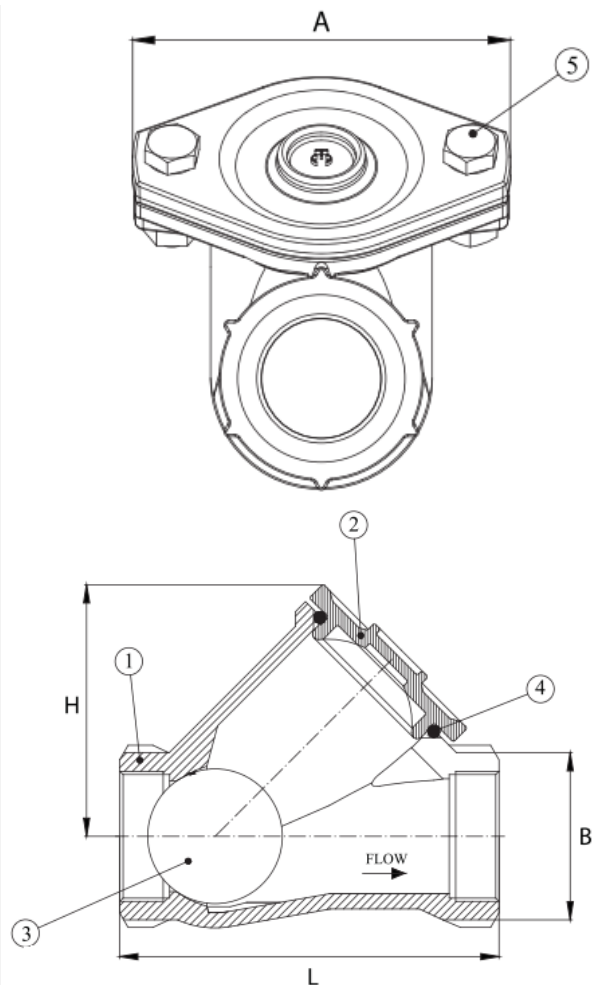
Name Material

Body	SS 316
Bonnet	SS 316
Ball	Aluminium & Viton
Bonnet Gasket	Viton
Bolts	A4 SS

Size	A	B	H	L	Kv	Cracking Pres-	Kg
1"	110	57	85	141	21	2.35mBar	2.2
1 1/4"	110	57	85	141	29	1.43mBar	2.2
1 1/2"	120	64	90	150	57	1.56mBar	2.8
2"	140	77	115	175	78	1.49mBar	3.9

ALL VALVES ONLINE

Offering a full range of actuated valve packages, manual valve range, pipe fittings and pumps, we have a product for all your requirements. As an ISO 9001-2015 Quality Approved and certified company, All Valves offer a quality service from pre-sale to post sale. Shipping millions of pounds in value of manual valve and actuated valve packages all over the world since its formation, All Valves are a trusted valve and actuator supplier to many companies all over the world. Working with the leading brands in most industries.



VALVE DIMENSIONS

T +44 (0)1386 552369

E sales@allvalves.co.uk

W www.allvalves.co.uk

F +44 (0)1386 554227

