



Main Features:-

- ◆ Flanged PN16—10147, PN40—10148
- ◆ Full Bore, Firesafe Design
- ◆ Lever Operated up to 8", 10" Gearbox Op.
- ◆ Rated PN40 ¾" to 2", PN25 2½" to 5", PN16 6" to 10", Temperature -20°C to 200°C

*Temperature and pressure determined by valve body, seat etc.

Suitable Applications & Approvals:



INDUSTRY



SERIES: 10147/10148

MANUFACTURER: **AVOL**
INDUSTRIAL VALVES

ALL VALVES ONLINE

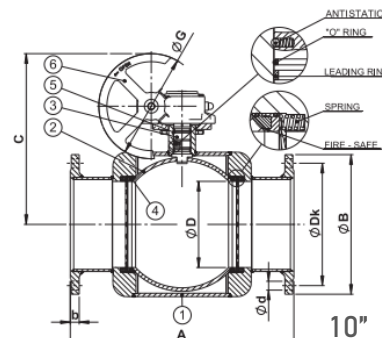
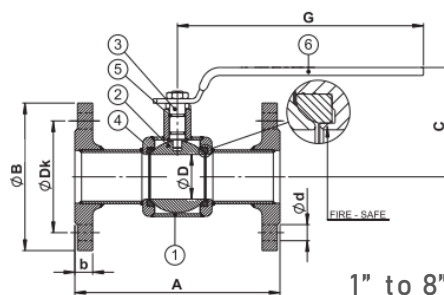
AllValves Online™ have used decades of experience in the valve industry to select a range of products that match the Allvalves Online ethos - value for money. All Valves Products are from reputable sources and have been sold in significant quantities for many years, are installed in a wide variety of applications, and are known to be durable in service.

No Name Materials

No	Name	Materials	Size	Pressure
1	Body	WCB		
2	Ball	AISI 304	1" to 2"	PN40
3	Stem	AISI 420	2 1/2" to 5"	PN25
4	Seats	PTFE	6" to 10"	PN25
5	O'Ring	PTFE & Viton		
6	Handle	Galvanized Carbon Steel		

VALVE DIMENSIONS

Size	A	ØB PN16	ØB PN40	C	ØD	G	b PN16	b PN40	ØDk PN16	ØDk PN40	ØdxN° PN16	ØdxN° PN40	Kg PN16	Kg PN40
1"	160	115	115	90.3	25	161	16	18	85	85	14x4	14x4	3.12	3.49
1 1/4"	180	140	140	108.3	31	237	16	18	100	100	18x4	18x4	5.07	5.62
1 1/2"	200	150	150	116	40	276	16	18	110	110	18x4	18x4	6.81	7.23
2"	230	165	165	122.5	50	276	18	20	125	125	18x4	18x4	8.22	8.96
2 1/2"	290	185	185	148.6	63.5	340	18	22	145	145	18x4	18x8	15	16.5
3"	310	200	200	160.6	78	340	20	24	160	160	18x8	18x8	21.7	23.4
4"	350	220	235	174.6	99	340	20	24	180	190	18x8	22x8	27.1	29.9
5"	400	250	270	219	125	545	22	26	210	220	18x8	26x8	37.9	40.2
6"	450	285	300	246	150	545	22	28	240	250	22x8	26x8	59.2	52.4
8"	550	340	375	348	200	1000	24	34	295	320	22x12	30x12	102.9	106.2
10"	650	405	450	495	250	305	26	38	355	385	26x12	33x12	189.5	219.9



T +44 (0)1386 552369

W www.allvalves.co.uk

E sales@allvalves.co.uk

F +44 (0)1386 554227