



Main Features:-

- ◆ Butt Weld Ends
- ◆ Welded A105 Carbon Steel Body
- ◆ Temperature -20°C to 200°C
- ◆ Full Bore, Firesafe Design
- ◆ Lever Operated up to 8", 10" Gearbox Op.

*Temperature and pressure determined by valve body, seat etc.

Suitable Applications & Approvals:



INDUSTRY

SERIES: 10146

MANUFACTURER: **AVOL**
INDUSTRIAL VALVES

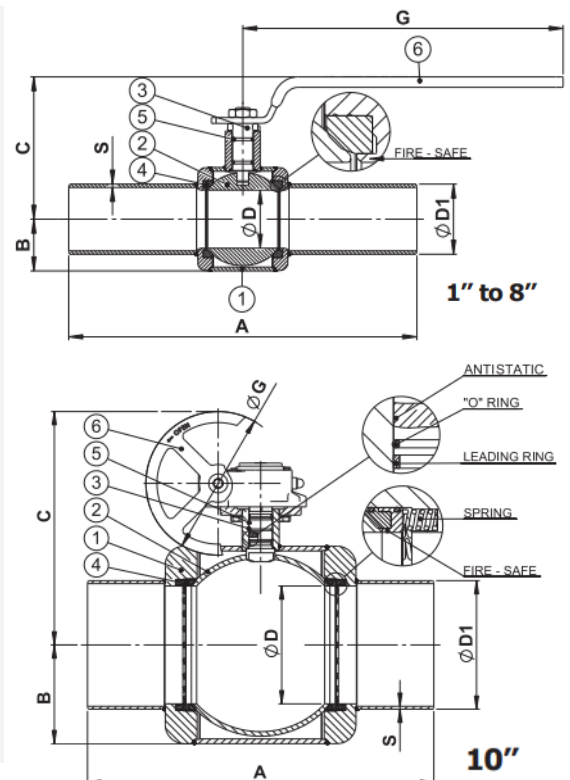
ALL VALVES ONLINE

AllValves Online™ have used decades of experience in the valve industry to select a range of products that match the Allvalves Online ethos - value for money. All Valves Products are from reputable sources and have been sold in significant quantities for many years, are installed in a wide variety of applications, and are known to be durable in service.

No	Name	Materials	Size	Pressure
1	Body	WCB		
2	Ball	AISI 304	3/4" to 2"	PN40
3	Stem	AISI 420	2 1/2" to 5"	PN25
4	Seats	PTFE	6" to 10"	PN25
5	O'Ring	PTFE & Viton		
6	Handle	Galvanized Carbon Steel		

VALVE DIMENSIONS

Size	A	B	C	∅D	∅D1	G	S	Kg
1"	270	24.2	90.3	25	33.7	161	2.6	1.34
1 1/4"	270	30.2	108.3	31	42.4	237	2.9	2.4
1 1/2"	270	38.1	116	40	48.3	276	2.9	3.63
2"	300	44.5	122.5	50	60.3	276	2.9	5.33
2 1/2"	360	57.2	148.6	63.5	76.1	340	3.2	10.3
3"	390	69.9	160.6	78	88.9	340	3.2	15.7
4"	450	84.2	174.6	99	114.3	340	3.6	19.9
5"	525	109.6	219	125	139.7	545	4	26.7
6"	600	136.5	246	150	168.3	545	4.5	40.2
8"	600	177.8	348	200	219.1	1000	6.3	80.4
10"	730	209.5	495	250	273	305	6.3	168.5



T +44 (0)1386 552369

W www.allvalves.co.uk

E sales@allvalves.co.uk

F +44 (0)1386 554227

