



## Main Features:-

- ◆ 3 Piece WCB Carbon Steel Body, Full Bore
- ◆ CF8 SS Ball, 304 Stainless Steel Stem
- ◆ Screwed BSPP
- ◆ Rated 1000psi
- ◆ Temperature -10°C to 180°C

\*Temperature and pressure determined by valve body, seat etc.

## Suitable Applications & Approvals:

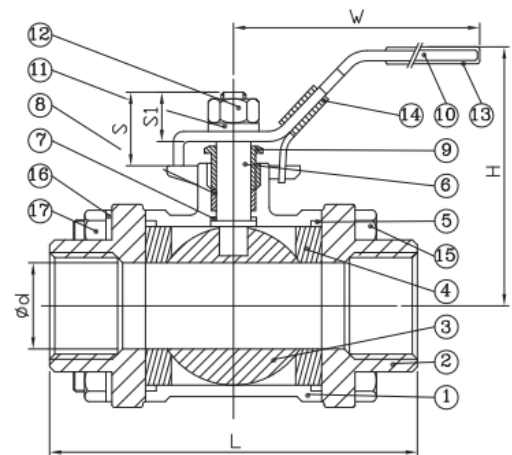


## SERIES: 10134

MANUFACTURER: **AVOL**  
INDUSTRIAL VALVES

## VALVE DIMENSIONS

No	Name	Material
1	Body	WCB
2	Cap	WC SSB
3	Ball	CF8
4	Seat	PTFE
5	Joint Gasket	PTFE
6	Stem	SS 304
7	Thrust Washer	PTFE
8	Stem Packing	PTFE
9	Gland Nut	SS 304
10	Handle	SS 430
11	Stem Washer	SS 304
12	Stem Nut	SS 304
13	Handle Sleeve	PVC
14	Locking Device	SS 430
15	Bolt	SS 304
16	Spring Washer	SS 304
17	Hex Nut	SS 304



Size	1/4"	3/8"	1/2"	3/4"	1"	1 1/4"	1 1/2"	2"	2 1/2"	3"	4"
d	11.6	12.8	15	20	25	32	3	50	65	80	100
L	58	58	68.5	84	89	112	121	146	165	183	232
H	50	50	55	60	72	78	91	105	127	137	172
W	110	110	115	135	145	145	175	175	210	210	310
S	12.9	12.9	14.8	22.4	23.2	23.6	26.5	25.6	38.2	33.8	49.8
BL	M8	M8	M8	M8	M10	M10	M12	M12	M16	M16	M24
Cv	6.6	6.6	11.2	21	34	57	80	150	265	415	780
Torque	40	40	54	74	106	150	200	280	480	750	1100
Kg	0.38	0.36	0.43	0.69	1.04	1.62	2.29	3.27	7.04	11.7	22



**T** +44 (0)1386 552369

**E** sales@allvalves.co.uk

**W** www.allvalves.co.uk

**F** +44 (0)1386 554227

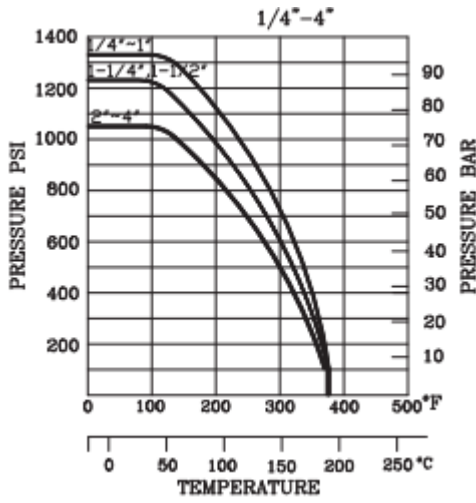


AVOL valves are our range of industrial valves selected by our experienced technical sales team.

## SERIES: 10134

### Pressure Temperature Chart

### ALL VALVES ONLINE



AllValves Online™ have used decades of experience in the valve industry to select a range of products that match the Allvalves Online ethos - value for money. All Valves Products are from reputable sources and have been sold in significant quantities for many years, are installed in a wide variety of applications, and are known to be durable in service.

VALVE DIMENSIONS



T +44 (0)1386 552369

W [www.allvalves.co.uk](http://www.allvalves.co.uk)

E [sales@allvalves.co.uk](mailto:sales@allvalves.co.uk)

F +44 (0)1386 554227