



Main Features:-

- ◆ 2 Piece WCB Carbon Steel Body, Full Bore
- ◆ CF8 SS Ball, 304 Stainless Steel Stem
- ◆ Screwed BSPP
- ◆ Rated 1000psi
- ◆ Temperature -10°C to 180°C

*Temperature and pressure determined by valve body, seat etc.

Suitable Applications & Approvals:



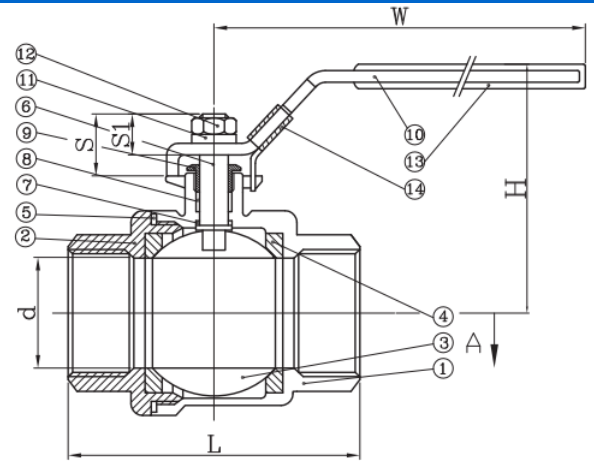
SERIES: 10133

MANUFACTURER: **AVOL**
INDUSTRIAL VALVES

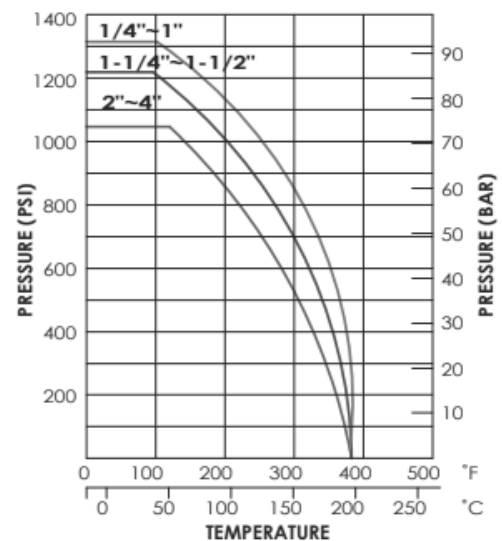
VALVE DIMENSIONS

No	Name	Material
1	Body	WCB
2	Cap	WC SSB
3	Ball	CF8
4	Seat	PTFE
5	Joint Gasket	PTFE
6	Stem	SS 316
7	Thrust Washer	PTFE
8	Stem Packing	PTFE
9	Gland Nut	SS 304
10	Handle	SS4430
11	Spring Washer	SS 304
12	Stem Nut	SS 304
13	Handle Sleeve	Plastic
14	Locking Device	SS 430

Size	d	L	H	W	S	SI
1/4"	11.6	50	48	91	16.5	10.2
3/8"	12.5	50	48	91	16.5	10.2
1/2"	15	60	52	91	16.5	10.2
3/4"	20	65	61	111	20	13.5
1"	25	80	65	111	23.5	16
1 1/4"	32	92	79	154	23.5	16
1 1/2"	38	105	83	154	25.5	17
2"	50	125	97	192	25.5	17



Additional Features



T +44 (0)1386 552369

E sales@allvalves.co.uk

W www.allvalves.co.uk

F +44 (0)1386 554227