



Main Features:-

- ◆ 3 Piece WCB Carbon Steel Body, Full Bore
- ◆ 10132—L Port, 10131—T Port
- ◆ CF8 Stainless Steel Ball
- ◆ PN40 ½" to 2", PNI6 2½" to 6"
- ◆ Temperature -10°C to 180°C

*Temperature and pressure determined by valve body, seat etc.

Suitable Applications & Approvals:

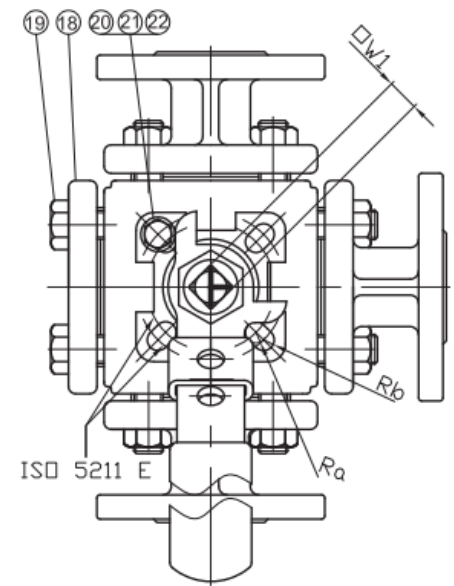
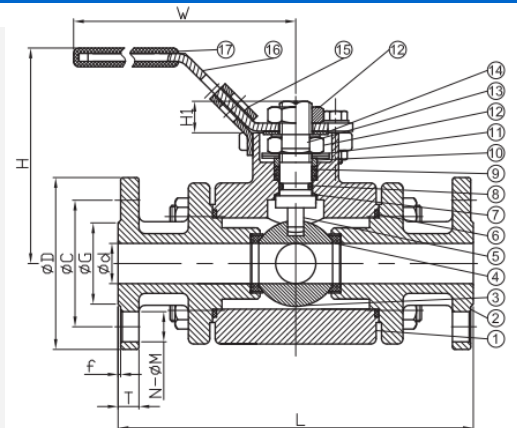


SERIES: 10131/10132

MANUFACTURER: **AVOL**
INDUSTRIAL VALVES



No	Name	Material	No	Name	Material
1	Body	WCB	12	Stem Nut	SS 304
2	Cap	WCB	13	Belleville Washer	SS 304
3	Ball	SS 304	14	Handle Washer	SS 304
4	Seat	TFM1600	16	Handle	SS 304
5	Stem	SS 304	17	Handle Cover	Plastic
6	Gasket	TFM1600	18	Cap A	WCB
7	Thrust Washer	TFM1600	19	Bolt	SS 304
8	O'Ring	Viton	20	Stop Pin	SS 304
9	Packing	TFM1600	21	Bolt	SS 304
10	Gland	SS 304	22	Nut	SS 304
11	Spring Washer	SS 301			



1/2" TO 1"

DN	1/2"	3/4"	1"	DN	1/2"	3/4"	1"
d	15	20	25	W	123	123	153
D	95	105	115	ISO	F03-04	F03-04	F04-05
C	65	75	85	E	36-42	36-42	42-50
G	45	58	68	H1	9	9	11
T	16	18	18	W1	9	9	11
f	2	2	2	Ra	R3	R3	R3
N	4	4	4	Rb	R3	R3	R3.5
M	14	14	14	Kg L-port	4.7	6.2	9.4
L	160	165	180	Kg T-port	4.6	6.2	9.3
H	80	84	96				

ALL VALVES ONLINE

AllValves Online™ have used decades of experience in the valve industry to select a range of products that match the Allvalves Online ethos - value for money. All Valves Products are from reputable sources and have been sold in significant quantities for many years.



T +44 (0)1386 552369

E sales@allvalves.co.uk

W www.allvalves.co.uk

F +44 (0)1386 554227



BALL VALVES

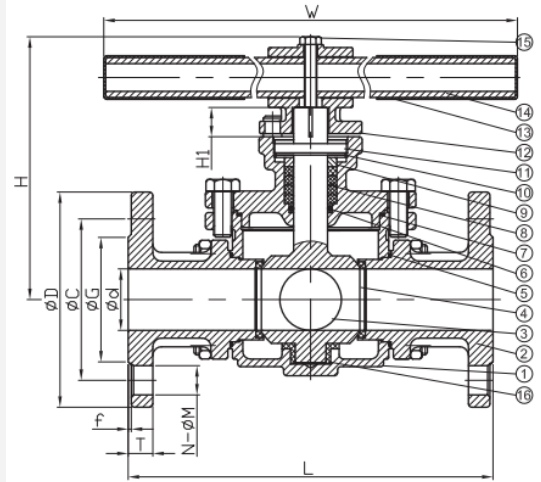
ALLVALVES
ONLINE

AVOL
INDUSTRIAL VALVES

AVOL valves are our range of industrial valves selected by our experienced technical sales team.

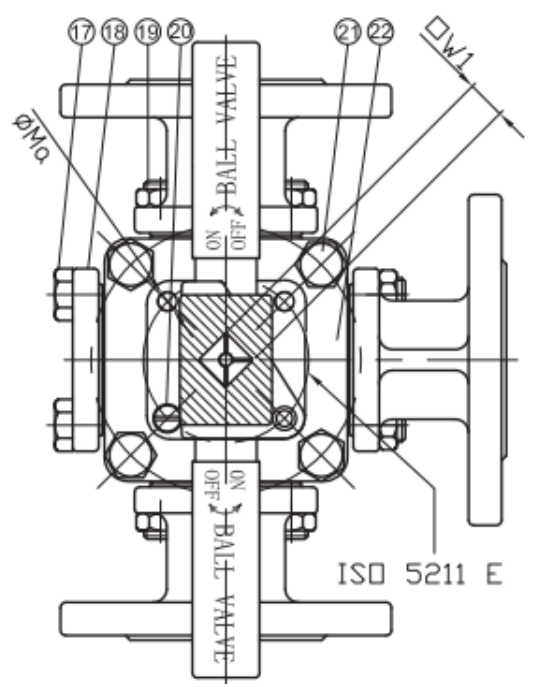
SERIES: 10131/10132

No	Name	Material	No	Name	Material
1	Body	WCB	12	Handle Head	SS 304
2	Cap	WCB	13	Handle Cover	Plastic
3	Ball/Stem	SS 304	14	Handle Pole	Galvanized Steel
4	Seat	TFM1600	15	Handle Bolt	SS 304
5	Gasket	TFM1600	16	Sleeve	PTFE
6	O'Ring	Viton	17	Cap B Bolt	SS 304
7	Gasket	TFM1600	18	Cap B	WCB
8	Packing	TFM1600	19	Bolt	SS 304
9	Gland	SS 304	20	Stop Pin	SS 304
10	Spring Washer	SS 301	21	Cap A Bolt	SS 304
11	Cap C	WCB	22	Cap A	WCB



1 1/4" TO 6"

Size	1 1/4"	1 1/2"	2"	2 1/2"	3"	4"	6"
d	32	40	50	65	76	96	148
D	140	150	165	185	200	220	285
C	100	110	125	145	160	180	240
G	78	88	102	122	138	158	212
T	18	18	20	18	20	20	22
f	3	3	3	3	3	3	3
N	4	4	4	4	8	8	8
M	18	18	18	18	18	18	22
L	234	234	273	300	305	369	480
H	171	171	176	208	216	236	329
W	403	403	403	504	504	504	800
ISO	F07	F07	F07	F10	F10	F10	F14
E	70	70	70	102	102	102	140
H1	19	19	19	24	24	24	38
W1	17	17	17	22	22	22	36
ØMa	10	10	10	12	12	12	18
Kg L-Port	15.1	16.9	20.1	28.2	36.2	63.3	148.9
Kg T-Port	14.4	16.5	19.9	27.5	35.4	59.2	144.9



ALL VALVES ONLINE

AllValves Online™ have used decades of experience in the valve industry to select a range of products that match the Allvalves Online ethos - value for money. All Valves Products are from reputable sources and have been sold in significant quantities for many years, are installed in a wide variety of applications.



T +44 (0)1386 552369
E sales@allvalves.co.uk

W www.allvalves.co.uk
F +44 (0)1386 554227