



Main Features:-

- ◆ 2 Piece WCB Carbon Steel Body, Full Bore
- ◆ CF8 Stainless Steel Ball, 304 SS Stem
- ◆ Flanged ANSI 150 RF
- ◆ PN40 1/2" to 2", PN16 2 1/2" to 6"
- ◆ Temperature -10°C to 180°C

*Temperature and pressure determined by valve body, seat etc.

Suitable Applications & Approvals:

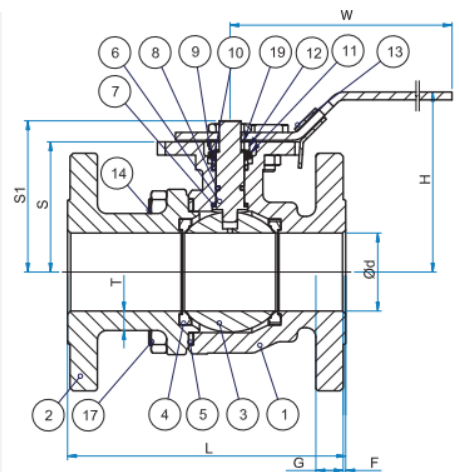


SERIES: 10130

MANUFACTURER: **AVOL**
INDUSTRIAL VALVES

VALVE DIMENSIONS

| No | Name | Material |
|----|-------------------|-----------|
| 1 | Body | WCB |
| 2 | Cap | WC SSB |
| 3 | Ball | CFTFM1600 |
| 4 | Seat | Graphite |
| 5 | Joint Gasket | AISI 316 |
| 6 | Stem | PTFE |
| 7 | Thrust Washer | Viton |
| 8 | O'Ring | Graphite |
| 9 | Stem Packing | AISI 304 |
| 10 | Stem Ring | AISI 304 |
| 11 | Belleville Washer | AISI 304 |
| 12 | Stem Nut | AISI 304 |
| 13 | Handle | Plastic |
| 14 | Nut | AISI 304 |
| 16 | Stud Bolt | AISI 304 |
| 17 | Nut | AISI 304 |
| 18 | Stud Bolt | AISI 304 |
| 19 | Stopper Pin | AISI 304 |
| 20 | Lock Washer | AISI 304 |



Additional Features

- API 607 & TA-LUFT Approved
- TFM 1600 Seats
- Graphite Packing

Torque Figures (Nm)

| Size | 1/2" | 3/4" | 1" | 1 1/2" | 2" | 2 1/2" | 3" | 4" | 6" |
|--------|------|------|------|--------|----|--------|----|----|-----|
| Torque | 5 | 8 | 10.5 | 20.5 | 31 | 37 | 62 | 97 | 210 |



T +44 (0)1386 552369

E sales@allvalves.co.uk

W www.allvalves.co.uk

F +44 (0)1386 554227



BALL VALVES

ALLVALVES
ONLINE

AVOL
INDUSTRIAL VALVES

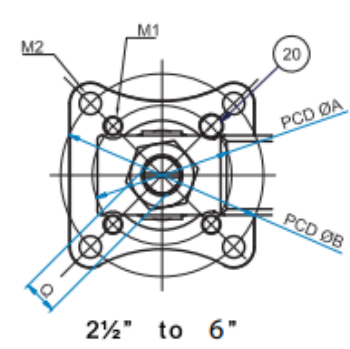
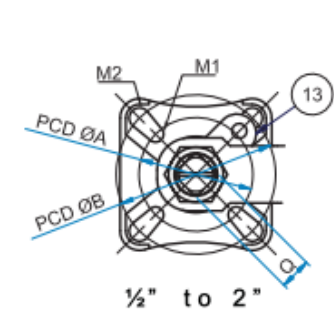
AVOL valves are our range of industrial valves selected by our experienced technical sales team.

SERIES: 10130

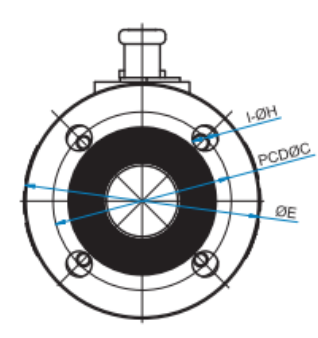
VALVE DIMENSIONS

| Size | D | F | G | L | W | H | S | SI | T | Kg |
|--------|-----|-----|------|-----|-----|-------|-------|-------|-----|------|
| 1/2" | 15 | 1.6 | 9.6 | 108 | 165 | 87.4 | 46.5 | 53.5 | 3.3 | 2.2 |
| 3/4" | 20 | 1.6 | 11.2 | 117 | 162 | 91.4 | 51.5 | 59.5 | 3.7 | 2.2 |
| 1" | 25 | 1.6 | 12.7 | 127 | 162 | 98.4 | 57.5 | 68.3 | 3.9 | 3.9 |
| 1 1/2" | 40 | 1.6 | 15.9 | 165 | 203 | 108.4 | 76.5 | 90 | 4.9 | 6.3 |
| 2" | 50 | 1.6 | 17.5 | 178 | 203 | 110.8 | 83.5 | 92.3 | 5.5 | 9.5 |
| 2 1/2" | 65 | 1.6 | 20.8 | 190 | 323 | 154.4 | 118.5 | 121.2 | 5.8 | 14.9 |
| 3" | 80 | 1.6 | 22.3 | 203 | 323 | 180 | 129.5 | 129.5 | 6.1 | 17.9 |
| 4" | 100 | 1.6 | 22.3 | 230 | 323 | 194.2 | 145 | 145 | 6.5 | 28.3 |
| 6" | 150 | 1.6 | 23.9 | 394 | 415 | 240 | 175 | 221.3 | 7.1 | 64 |

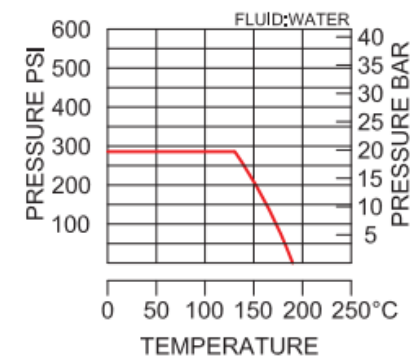
| Size | A | B | M | M2 | Q |
|--------|-----|-----|------|-------|----|
| 1/2" | 42 | 50 | R3 | R3.5 | 9 |
| 3/4" | 50 | 70 | R3.8 | R4.8 | 9 |
| 1" | 50 | 70 | R3.8 | R4.8 | 11 |
| 1 1/2" | 70 | 102 | R9.6 | R11.2 | 14 |
| 2" | 70 | 102 | R9.6 | R11.2 | 14 |
| 2 1/2" | 102 | 125 | R6.5 | R7.15 | 17 |
| 3" | 102 | 125 | R5.6 | R7.15 | 17 |
| 4" | 102 | 125 | R5.6 | R7.15 | 22 |
| 6" | x | x | x | x | x |



| Size | C | E | I-H |
|--------|-------|-------|------|
| 1/2" | 60.5 | 89 | 4-16 |
| 3/4" | 70 | 96 | 4-16 |
| 1" | 79.5 | 108 | 4-16 |
| 1 1/2" | 98.5 | 127 | 4-16 |
| 2" | 120.5 | 152.4 | 4-19 |
| 2 1/2" | 139.5 | 178 | 4-19 |
| 3" | 152.5 | 190.5 | 4-19 |
| 4" | 190.5 | 229 | 8-19 |
| 6" | x | x | x |



Pressure/ Temperature Charts



ALL VALVES ONLINE

AllValves Online™ have used decades of experience in the valve industry to select a range of products that match the Allvalves Online ethos - value for money. All Valves Products are from reputable sources and have been sold in significant quantities for many years, are installed in a wide variety of applications.



T +44 (0)1386 552369

W www.allvalves.co.uk

E sales@allvalves.co.uk

F +44 (0)1386 554227