

Main Features:-

- ◆ 2pc Design Stainless Ball Valve
- ◆ ISO 5211 Direct Mount
- ◆ PN16 Flanged
- ◆ TFM1600 seats and Viton Seals
- ◆ -10C to +180C Temperature Rating PN63

*Temperature and pressure determined by valve body, seat etc.

Suitable Applications & Approvals:



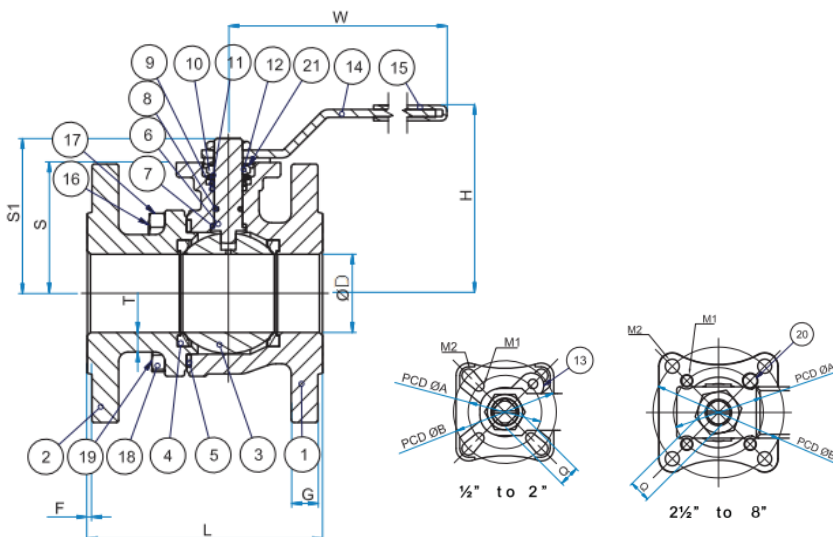
SERIES: 10117

MANUFACTURER: **AVOL**
INDUSTRIAL VALVES

SIZE	CODE	D	F	G	L	W	H	S	S1	T	KG	NM	ISO	STEM
1/2"	10117-04	15	2	14	115	110	89	46.5	56	3.1	2.2	5	-	9
3/4"	10117-05	20	2	16	120	110	94	51.5	61	5	2.6	8	F05	9
1"	10117-06	25	2	16	125	136	95	57.5	67	6	3.7	10.5	F05	11
1 1/4"	10117-07	32	2	16	127	175	105.7	71.5	87	6	6.2	15	F07	14
1 1/2"	10117-08	40	3	16	140	203	110.7	76.5	92	6	6.9	20.5	F07	14
2"	10117-09	50	3	17	150	203	117.7	83.5	99	6.5	9.7	31	F07	14
2 1/2"	10117-10	65	3	15	170	277.5	155.5	118.5	137	6.5	15.2	37	F10	17
3"	10117-11	80	3	17	180	277.5	166.5	129.5	148	7	19.6	62	F10	17
4"	10117-12	100	3	17	190	377.5	182	145	163.5	7	27.3	97	F10	17
6"	10117-14	150	3	22	350	415	215	175	222	7.1	62	210	F12	27
8"	10117-16	200	3	24	400	920	304	-	-	-	92	600	F14	36

VALVE DIMENSIONS

DIMENSIONAL DRAWING OF VALVE



MATERIALS OF CONSTRUCTION

BODY	CF8M SS
BALL	CF8M SS
BODY SEAT	TFM 1600
STEM	316 SS
ORINGS	VITON
PRESSURE	PN16 -40
TEMP	-20 to +180C

* PN40 up to 2" - 2 1/2" to 8" PN16 only

T +44 (0)1386 552369

W www.allvalves.co.uk

E sales@allvalves.co.uk

F +44 (0)1386 554227