



## Main Features:-

- ◆ 3pc Design Stainless Ball Valve
- ◆ ISO Mount 5211 Direct Mount for Actuation
- ◆ BSPP Full Bore, Anti Blow Out Stem
- ◆ PTFE seats and Seals
- ◆ -10C to +180C Temperature Rating PN63

\*Temperature and pressure determined by valve body, seat etc.

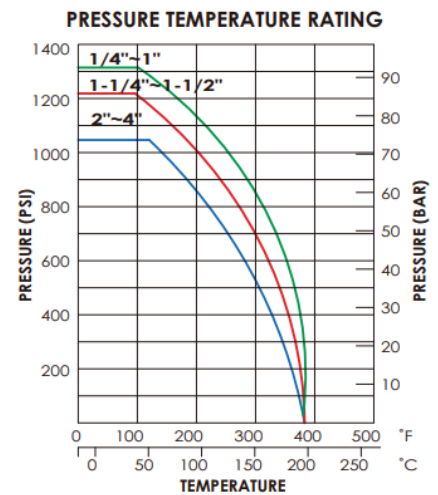
## Suitable Applications & Approvals:



## SERIES: 10115

MANUFACTURER: **AVOL**  
INDUSTRIAL VALVES

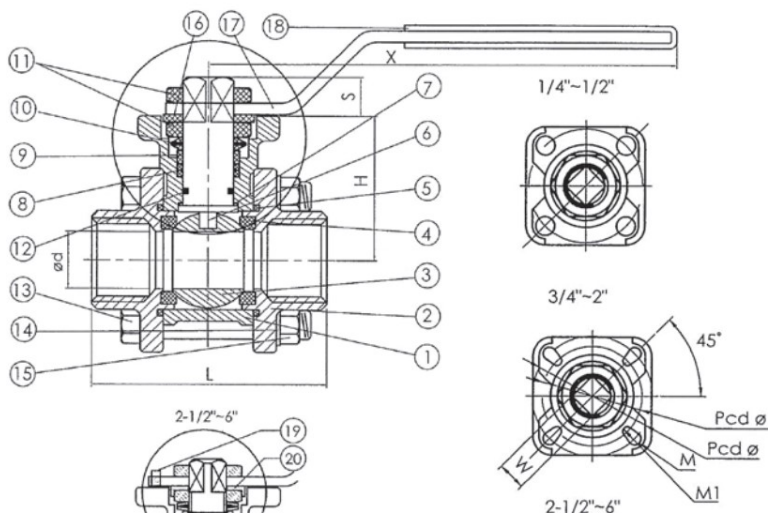
## PRESSURE & TEMP CHART



SIZE	CODE	L	H	S	ISO	STEM	Nm	CV
1/4"	10115-02	58.0	36.0	9.6	F03	9	4.5	6.6
3/8"	10115-03	58.0	36.0	9.6	F03	9	4.5	7.9
1/2"	10115-04	62.0	38.0	9.6	F03	9	5.5	11.2
3/4"	10115-05	77.0	41.7	11.6	F04/05	11	9.0	21.0
1"	10115-06	83.0	44.4	11.6	F04/05	11	11.0	34.0
1 1/4"	10115-07	94.0	52.8	11.2	F05/07	14	15.5	57.0
1 1/2"	10115-08	107	58.5	11.2	F05/07	14	22.0	80.0
2"	10115-09	120	66.0	11.2	F05/07	14	33.0	148
2 1/2"	10115-10	157	101.5	18.5	F07/F10	17	40.0	265
3"	10115-11	182	112.5	18.5	F07/10	17	66.0	415
4"	10115-12	213.6	127.0	18.5	F07/10	17	90.0	780

VALVE DIMENSIONS

## DIMENSIONAL DRAWING OF VALVE



## MATERIALS OF CONSTRUCTION

BODY	SS ASTM A351
BALL	SS ASTM A351
BODY SEAT	PTFE
STEM	AISI 316 SS
ORINGS	VITON
PRESSURE	PN63
TEMP	-10 to +180C

T +44 (0)1386 552369

E sales@allvalves.co.uk

W www.allvalves.co.uk

F +44 (0)1386 554227

