



Main Features:-

- ◆ 2pc Design Stainless Ball Valve
- ◆ ISO 5211 Direct Mount for Actuation
- ◆ BSPP Full Bore, Anti Blow Out Stem
- ◆ PTFE seats and Seals
- ◆ -10C to + 180C Temperature Rating PN63

*Temperature and pressure determined by valve body, seat etc.



Suitable Applications & Approvals:



SERIES: 10108

MANUFACTURER: **AVOL**
INDUSTRIAL VALVES

MORE ABOUT THE VALVE

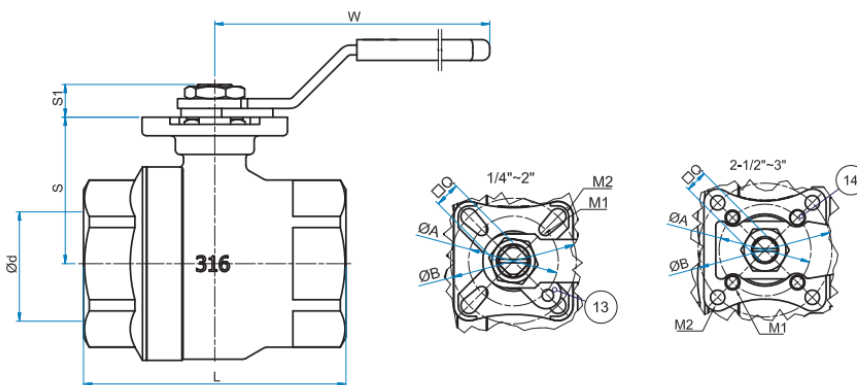
Suitable for heating and conditioning (HVAC), district heating, distribution and treatment of water, industrial application, agricultural application, for compressed air processing, for oils and hydrocarbon, for fire fighting.

For installation in line and end of line, for services with frequent acting, the integrated ISO 5211 support allows the installation of a wide range of actuators

SIZE	CODE	ISO	STEM	L	S	S1	W	NM
1/4"	1035	F03	9	49.6	36	10	110	4.5
3/8"	1035	F03	9	49.6	36	10	110	4.5
1/2"	1035	F03	9	55.0	8	10	110	5.5
3/4"	1035	F05	11	75.5	41.7	12	136	9.0
1"	1035	F05	11	82.5	44.4	12	136	11.0
1 1/4"	1035	F07	14	90.8	54	16.5	158	15.5
1 1/2"	1035	F07	14	103	59.5	16.5	203	22.0
2"	1035	F07	14	120	67	16.5	203	33.0
2 1/2"	1035	F10	17	155	101.5	24.5	322.5	40.0
3"	1035	F10	17	182	112.5	24.5	322.5	66.0

VALVE DIMENSIONS

DIMENSIONAL DRAWING OF VALVE



MATERIALS OF CONSTRUCTION

BODY	SS ASTM A351
BALL	SS ASTM A351
BODY SEAT	PTFE
STEM	AISI 316 SS
ORINGS	PTFE
PRESSURE	PN63
TEMP	-10 to +180C



T +44 (0)1386 552369

E sales@allvalves.co.uk

W www.allvalves.co.uk

F +44 (0)1386 554227