



## Main Features:-

- ◆ 2pc Design Stainless Ball Valve
- ◆ WRAS Approved for use on Drinking Water
- ◆ BSPP Full Bore, Wing Handle
- ◆ PTFE seats and Seals
- ◆ -10C to +180C Temperature Rating PN63

\*Temperature and pressure determined by valve body, seat etc.



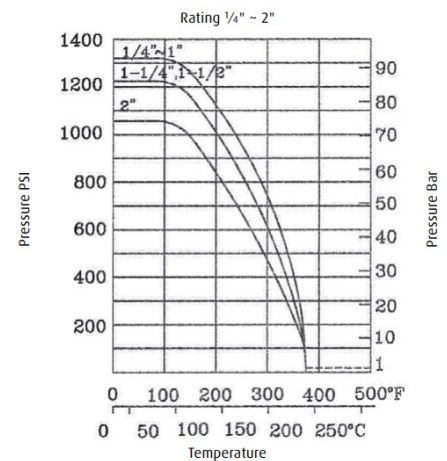
## Suitable Applications & Approvals:



## SERIES: 10105

MANUFACTURER: **AVOL**  
INDUSTRIAL VALVES

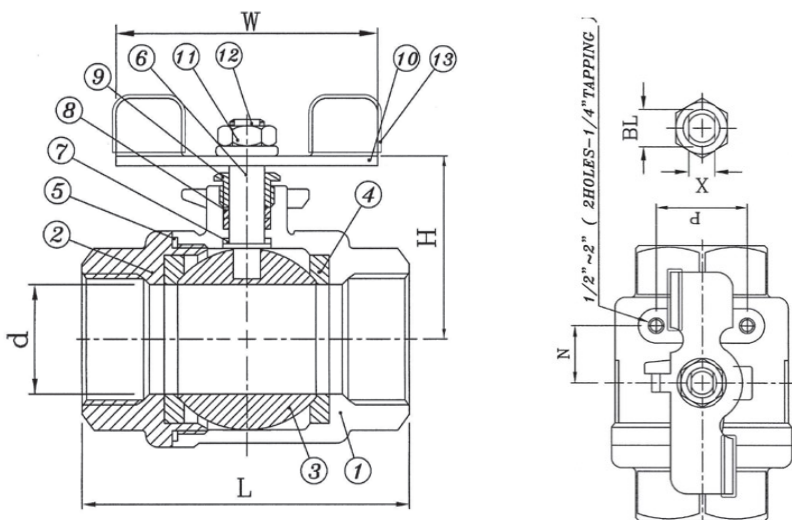
## PRESSURE & TEMP CHART



SIZE	CODE	D	L	H	W	X	N	CV
1/4"	10105	11.6	44.5	31.5	60.2	5.0	12.5	6.6
3/8"	10105	12.7	44.5	31.5	60.2	5.0	12.5	7.9
1/2"	10105	15.0	57.0	33.5	60.2	5.0	12.5	11.2
3/4"	10105	20.0	65.0	39.0	80.0	6.5	21.0	21.0
1"	10105	25.0	76.0	49.5	100	8.0	22.5	35.0

VALVE DIMENSIONS

## DIMENSIONAL DRAWING OF VALVE



## MATERIALS OF CONSTRUCTION

BODY	SS ASTM A351
BALL	SS ASTM A351
BODY SEAT	PTFE
STEM	AISI 316 SS
ORINGS	PTFE
PRESSURE	PN63
TEMP	-10 to +180C

T +44 (0)1386 552369

E sales@allvalves.co.uk

W www.allvalves.co.uk

F +44 (0)1386 554227

