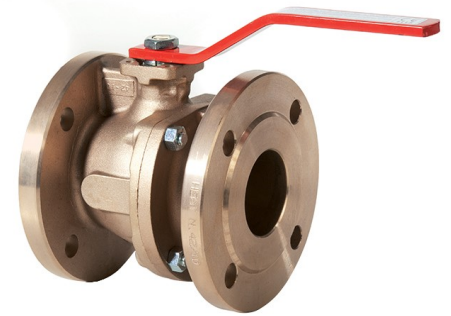




## Main Features:-

- ◆ Flanged ANSI 150, ISO 5211 for Direct Mount
- ◆ Lever Operated
- ◆ DINF4/F5 Face to Face
- ◆ 316 Stainless Steel Ball & Stem
- ◆ Rated PN16, Temperature -10°C to 150°C

\*Temperature and pressure determined by valve body, seat etc.



## Suitable Applications & Approvals:



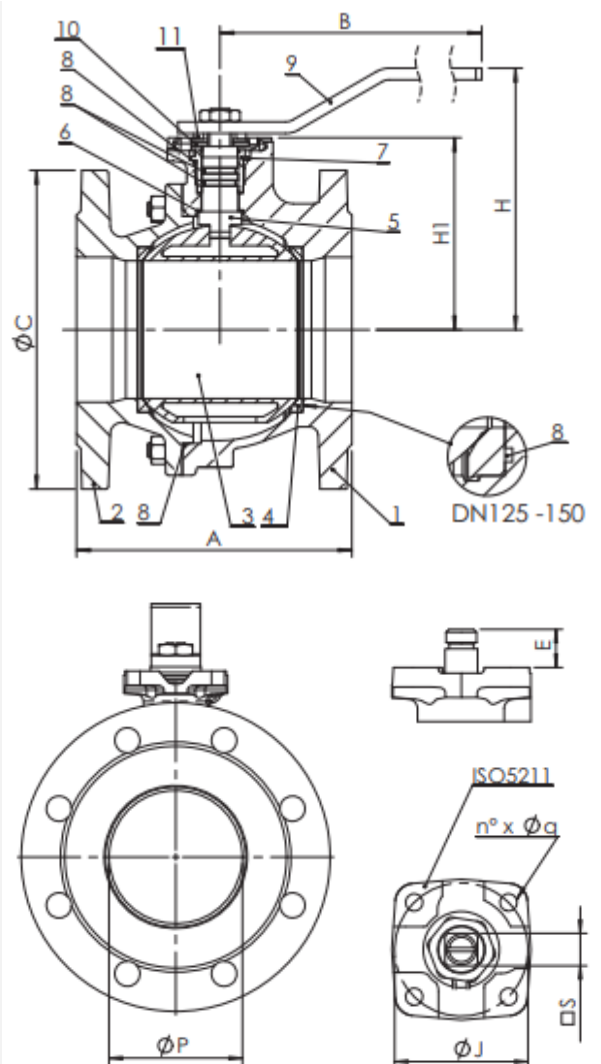
## SERIES: 10098

MANUFACTURER: **AV@L**  
INDUSTRIAL VALVES

VALVE DIMENSIONS

Name	Materials
Body	Bronze
Flange	Bronze
Ball	AISI 316
Ball Seat	RPTFE
Stem	AISI 316
Sliding Washer	PTFE
Ring	AISI 316
O'Ring	Viton
Lever	Epoxy Coated Carbon Steel
Stop Plate	AISI 316
Spring Washer	AISI 316
Lever Hub	Brass
Lever Stop	AISI 316
Anti-Blow-Out	AISI 302
Mountig Pad	Aluminium Bronze
Bolts	AISI 302

### DN 15- 150



## ALL VALVES ONLINE

Offering a full range of actuated valve packages, manual valve range, pipe fittings and pumps, we have a product for all your requirements. As an ISO 9001-2015 Quality Approved and certified company, All Valves offer a quality service from pre-sale to post sale. Shipping millions of pounds in value of manual valve and actuated valve packages all over the world since its formation, All Valves are a trusted valve and actuator supplier to many companies all over the world. Working with the leading brands in most industries.

Drawings continue on the second page.



T +44 (0)1386 552369

E sales@allvalves.co.uk

W www.allvalves.co.uk

F +44 (0)1386 554227



# BALL VALVES

**ALLVALVES**  
ONLINE

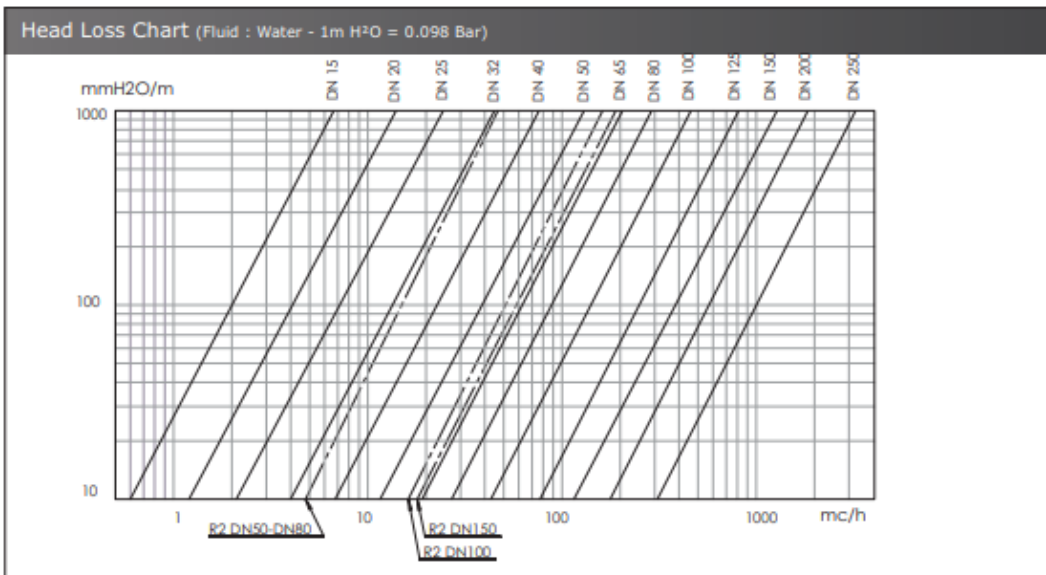
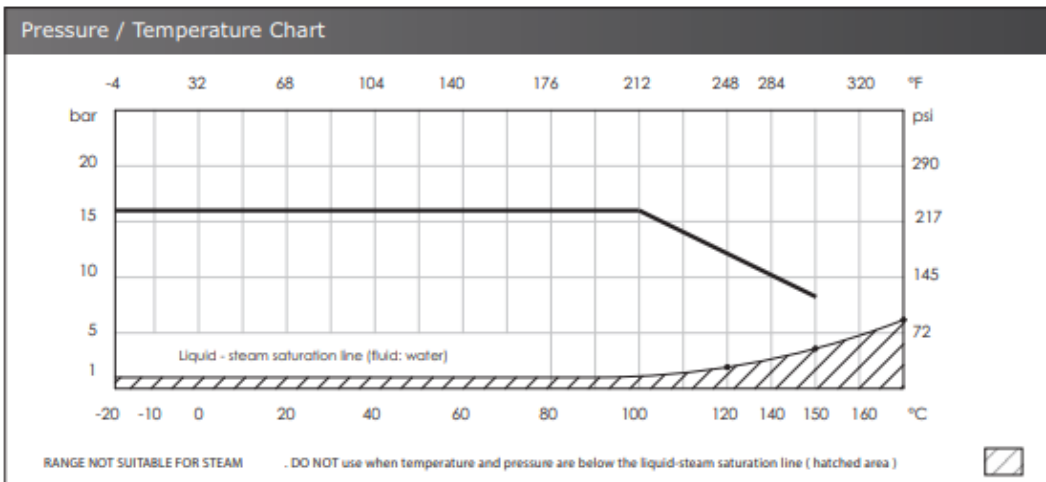
**AVOL**  
INDUSTRIAL VALVES

AVOL valves are our range of industrial valves selected by our experienced technical sales team.

**SERIES: 10098**

## Pressure/Temperature Chart & Head Loss Chart

VALVE DIMENSIONS



Size	P	A	H	HI	B	C	ISO	J	n° x Øq	E	S	Kg	Nm	Kv
1/2"	15	108	84	50.5	160	88.9	F04	42	4x6	11.5	Ø9	2.4	15	22.3
3/4"	20	117	84	52	160	98.6	F04	42	4x6	11.5	Ø9	3.1	15	47.7
1"	25	127	96	59	170	108	F04	42	4x6	14.5	Ø11	4.7	18	83.5
1 1/4"	32	140	101	64	170	117.3	F04	42	4x6	14.5	Ø11	5.7	18	150.4
1 1/2"	40	165	125	78.5	230	127	F05	50	4x7	17.5	Ø14	8.1	18	255
2"	50	178	135	87	230	152.4	F05	50	4x7	17.5	Ø14	11.3	20	435
3"	76	203	165	118	280	190.5	F07	70	4x9	20	Ø17	20.8	70	947
4"	95	229	180	132.5	360	228.6	F07	70	4x9	20	Ø17	29.5	100	1508
6"	145	267	243	182.5	560	279.4	F10	102	4x11	24.5	Ø22	56.8	250	4261



**T** +44 (0)1386 552369

**W** [www.allvalves.co.uk](http://www.allvalves.co.uk)

**E** [sales@allvalves.co.uk](mailto:sales@allvalves.co.uk)

**F** +44 (0)1386 554227