



Main Features:-

- ◆ Brass Ball Valve with Hose Union
- ◆ Nickel Plated Body
- ◆ Lever Operated
- ◆ Rated PN16
- ◆ Temperature -20°C to 110°C

*Temperature and pressure determined by valve body, seat etc.

Suitable Applications & Approvals:

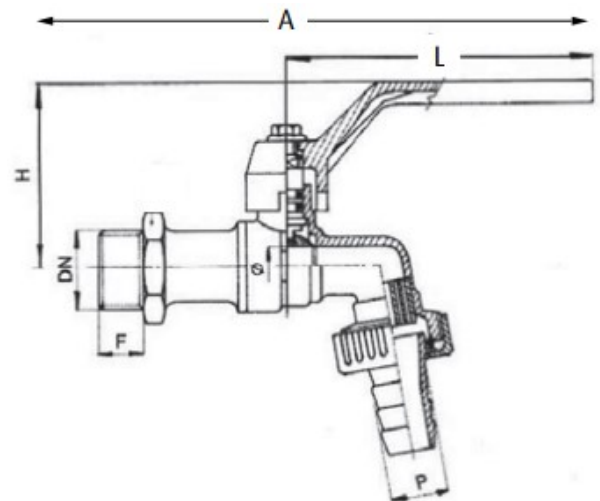


SERIES: 10083

MANUFACTURER: **AVOL**
INDUSTRIAL VALVES

1/4" & 3/8"

Name	Materials
Body	Nickel Plated Brass
Ball	Chrome Plated Brass
Seat	NBR
Stem	Nickel Plated Brass
Handle	Brass



VALVE DIMENSIONS

Size	Ø	F	H	L	P	A	Kg
1/2"	10	14	49	85	15	137	0.19
3/4"	12.5	16	54	105	20	150	0.27
1"	15	15	56	105	26	163	0.4
1 1/4"	25	18	72	120	26	200	0.86

ALL VALVES ONLINE

Offering a full range of actuated valve packages, manual valve range, pipe fittings and pumps, we have a product for all your requirements. As an ISO 9001-2015 Quality Approved and certified company, All Valves offer a quality service from pre-sale to post sale. Shipping millions of pounds in value of manual valve and actuated valve packages all over the world since its formation, All Valves are a trusted valve and actuator supplier to many companies all over the world.



T +44 (0)1386 552369

E sales@allvalves.co.uk

W www.allvalves.co.uk

F +44 (0)1386 554227