

Main Features:-

- ◆ EN GJS 400-15 Epoxy Coated Ductile Iron
- ◆ Stainless Ball and Stem
- ◆ Reinforced PTFE (RPTFE) Ball Seats
- ◆ Viton O-Ring
- ◆ ANSI 150 Flanges + -10C to+150C Temp

*Temperature and pressure determined by valve body, seat etc.



Suitable Applications & Approvals:



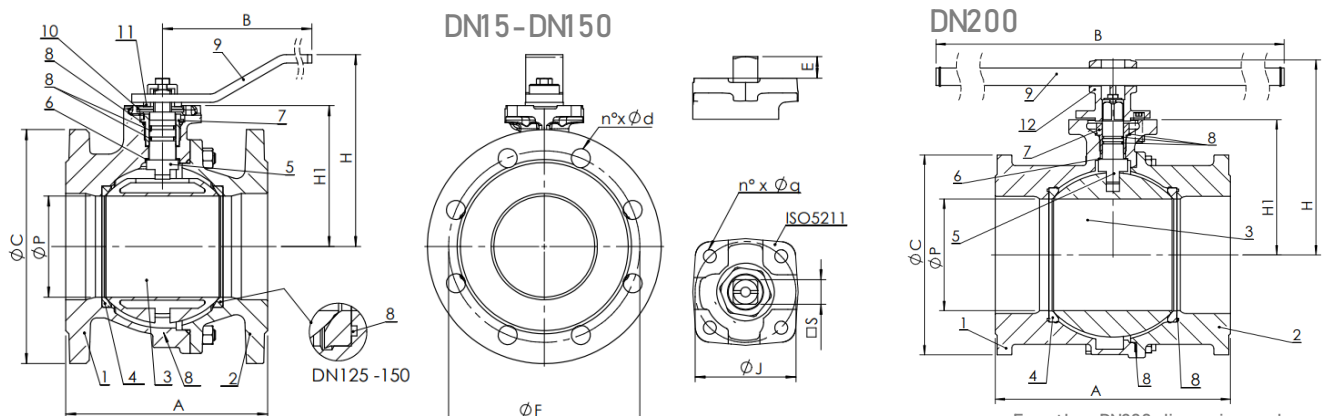
SERIES: 10066

MANUFACTURER: **AVOL**
INDUSTRIAL VALVES

SIZE	CODE	P	A	H	HI	B	C	ISO	J	E	S	Nm	Kv	Kg
1/2"	10066-04	15	115	84	50.5	160	95	F04	42	11.5	9	15	22.3	2.6
3/4"	10066-05	20	120	84	52	160	105	F04	42	11.5	9	15	47.7	3.3
1"	10066-06	25	125	96	59	170	115	F04	42	14.5	11	18	83.5	4.2
1 1/4"	10066-07	32	130	101	64	170	140	F04	42	14.5	11	18	150.4	5.8
1 1/2"	10066-08	40	140	125	78.5	230	150	F05	50	17.5	14	20	255	7.5
2"	10066-09	50	150	135	87	230	165	F05	50	17.5	14	20	435	9.0
2 1/2"	10066-10	63	170	143	95	230	185	F05	50	17.5	14	40	672	10.5
3"	10066-11	76	180	165	118	280	200	F07	70	20	17	70	947	15.5
4"	10066-12	95	190	180	132.5	360	220	F07	70	20	17	100	1508	18.5
5"	10066-13	120	200	225	165	450	250	F10	102	24.5	22	180	2633	28.0
6"	10066-14	145	210	243	182.5	560	285	F10	102	24.5	22	250	4261	38.5
8"	10066-15	190	400	320	230	1000	340	F12	125	27	27	600	5957	93.0

VALVE DIMENSIONS

DIMENSIONAL DRAWING OF VALVE



For other DN200 dimensions, please call.

T +44 (0)1386 552369

W www.allvalves.co.uk

E sales@allvalves.co.uk

F +44 (0)1386 554227



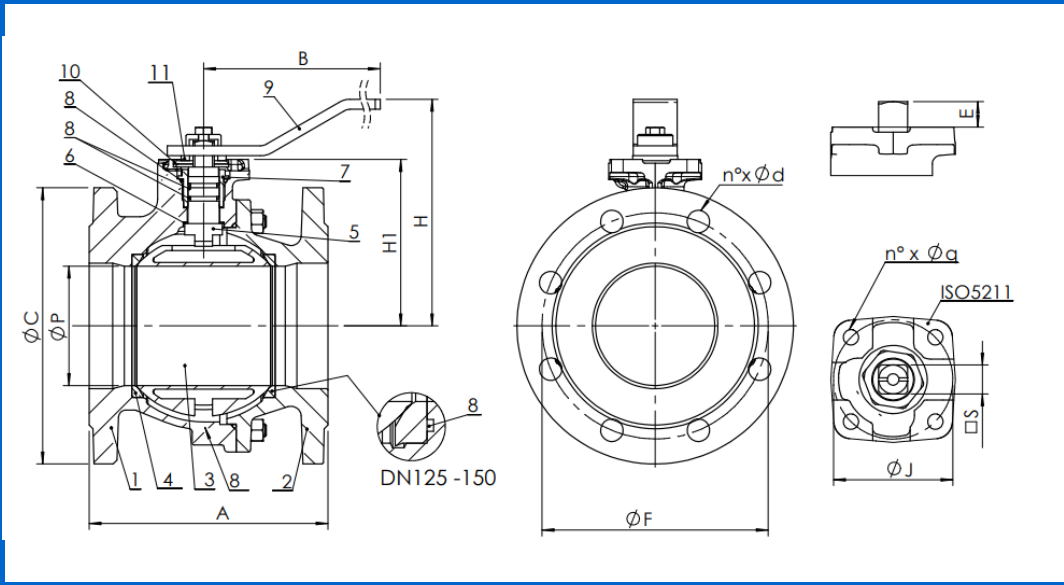
MATERIALS OF CONSTRUCTION

#	ITEM	MATERIAL
1	BODY	EN GJS 400-15 Epoxy Coated Ductile Iron
2	FLANGE	EN GJS 400-15 Epoxy Coated Ductile Iron
3	BALL	AISI 304 Stainless Steel
4	BALL SEAT	Reinforced PTFE
5	STEM	AISI 304 Stainless Steel
6	SLIDING WASHER	PTFE
7	RING	AISI 304 Stainless Steel
8	O-RING	Viton
9	LEVER	Epoxy Coated Carbon Steel
10	STOP PLATE	Galvanised Carbon Steel
11	SPRING WASHER	Galvanised Carbon Steel

MORE ABOUT THE

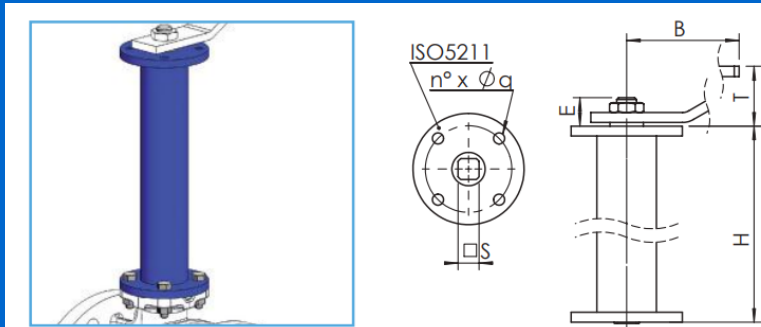
Suitable for heating and conditioning (HVAC), district heating, distribution and treatment of water, industrial application, agricultural application, for compressed air processing, for oils and hydrocarbon, for fire fighting.

(Please ensure the choice of the corresponding item) YES: for installation in line and end of line, for services with frequent acting, the integrated ISO 5211 support allows the installation of a wide range of actuators



- OPTIONS:**
- Stem extension for thermal insulation
 - Square cap for water main system connection
 - Stem extension
 - Kit ISO 5211 flange
 - Kit lockable operation lever
 - Kit limit switches for ON/OFF position indicator Actuators
 - Actuated using electric of pneumatic actuators.
 - Brass Ball & Stem
 - Gas Approved

EXAMPLE OF OPTIONS AVAILABLE: -



DN	40	50	65	80	100	125	150
H	250-500-800-1000						
T	48	48	48	48	48	59	59
B	230	230	230	280	360	450	560
ISO 5211	F05	F05	F05	F07	F07	F10	F10
J	50	50	50	70	70	102	102
n° x Øq	4x7	4x7	4x7	4x9	4x9	4x11	4x11
E	22	22	22	23	23	27	27
S	14	14	14	17	17	22	22





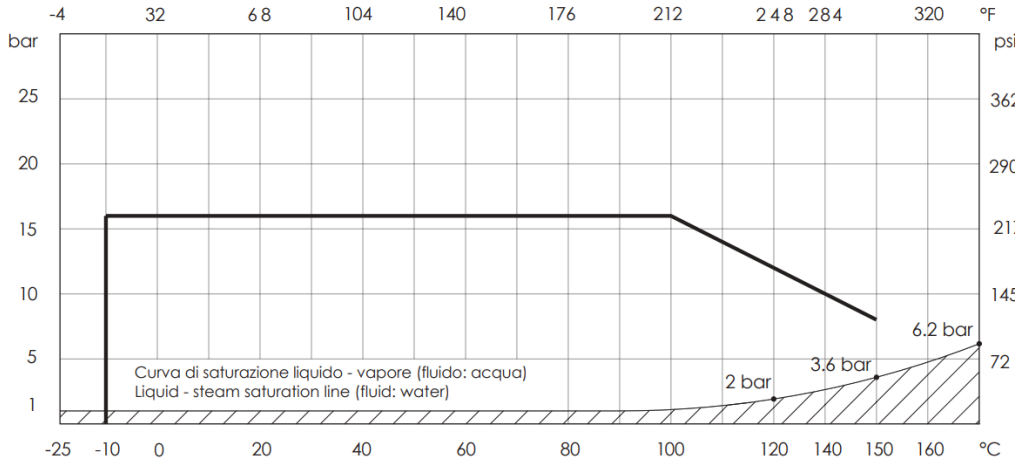
PRESSURE & TEMPERATURE CHART

NOTE :

NBR seat has a minimum temperature rating of -10 and a maximum rating of +100C with a peak rating of +110C

FKM (Viton) has a rating of minus -10 to +150C with a peak of 170C

For **Water** applications the maximum Pressure rating is 16 bar but for **Gas** applications between flanges is 16 bar upto DN200 for end of line recommended that 10 bar is considered maximum.

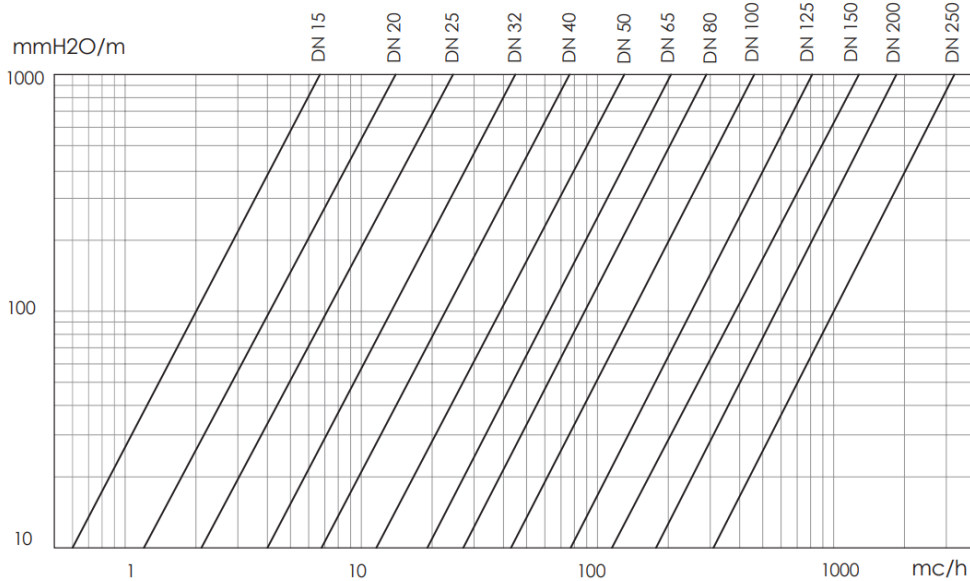


NON ADATTA PER VAPORE. NON utilizzare in condizioni di temperature e pressione al di sotto della curva di saturazione liquido-vapore (area tratteggiata)
RANGE NOT SUITABLE FOR STEAM. DO NOT use when temperature and pressure are below the liquid-steam saturation line (hatched area)

HEAD LOSS CHART - Water (1m H2O = 0.098bar)

ABOUT ALL VALVES

AllValves Online™ have used decades of experience in the valve industry to select a range of products that match the Allvalves Online ethos - value for money. All Valves Products are from reputable sources and have been sold in significant quantities for many years, are installed in a wide variety of applications, and are known to be durable in service.



FLANGE DRILLING OPTIONS

DN		15	20	25	32	40	50	65	80	100	125	150	200	250
Dim. flangia in accordo PN 16 EN1092/2	Foratura PN 16 EN1092/2 Drilling PN 16 EN1092/2	std	std	std	std	std	std	std	std	std	std	std	std	std
Dimensions of flanges according to PN 16 EN1092/2	Foratura PN 10 EN1092/2 Drilling PN 10 EN1092/2	=	=	=	=	=	=	=	=	=	=	=	opt	opt
	Foratura PN 6 EN1092/2 Drilling PN 6 EN1092/2	opt	opt	opt	opt	opt	opt	opt	opt	opt	opt	opt	opt	opt
	Foratura PN 25 EN1092/2 Drilling PN 25 EN1092/2	=	=	=	=	=	=	opt	=	no	no	no	no	no
	Foratura ANSI B16.5 #150 Drilling ANSI B16.5 #150	opt	opt	opt	opt	opt	opt	opt	opt	opt	opt	opt	opt	opt

PRESSURE & TEMP CHART