

Main Features:-

- ◆ EN GJS 400-15 Epoxy Coated Ductile Iron
- ◆ Chrome Plated Brass Ball
- ◆ Reinforced PTFE (RPTFE) Ball Seats
- ◆ Viton O-Ring, PN6 Flange
- ◆ PN16 Pressure + -10C to+100C Temp Rating

*Temperature and pressure determined by valve body, seat etc.



Suitable Applications & Approvals:



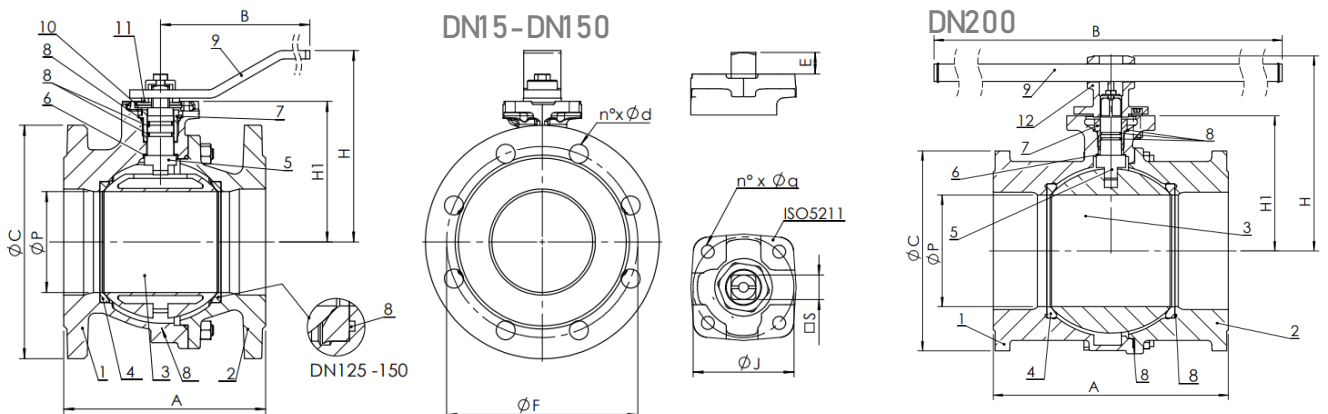
SERIES: 10064

MANUFACTURER: **AVOL**
INDUSTRIAL VALVES

SIZE	CODE	P	A	H	HI	B	C	ISO	J	E	S	Nm	Kv	Kg
1/2"	10064-04	15	115	84	50.5	160	95	F04	42	11.5	9	15	22.3	2.6
3/4"	10064-05	20	120	84	52	160	105	F04	42	11.5	9	15	47.7	3.3
1"	10064-06	25	125	96	59	170	115	F04	42	14.5	11	18	83.5	4.2
1 1/4"	10064-07	32	130	101	64	170	140	F04	42	14.5	11	18	150.4	5.8
1 1/2"	10064-08	40	140	125	78.5	230	150	F05	50	17.5	14	20	255	7.5
2"	10064-09	50	150	135	87	230	165	F05	50	17.5	14	20	435	9.0
2 1/2"	10064-10	63	170	143	95	230	185	F05	50	17.5	14	40	672	10.5
3"	10064-11	76	180	165	118	280	200	F07	70	20	17	70	947	15.5
4"	10064-12	95	190	180	132.5	360	220	F07	70	20	17	100	1508	18.5
5"	10064-13	120	200	225	165	450	250	F10	102	24.5	22	180	2633	28.0
6"	10064-14	145	210	243	182.5	560	285	F10	102	24.5	22	250	4261	38.5

VALVE DIMENSIONS

DIMENSIONAL DRAWING OF VALVE



For other DN200 dimensions, please call.

T +44 (0)1386 552369

W www.allvalves.co.uk

E sales@allvalves.co.uk

F +44 (0)1386 554227



AVOL valves are our range of industrial valves selected by our experienced technical sales team.

SERIES: 10064

MATERIALS OF CONSTRUCTION

#	ITEM	MATERIAL
1	BODY	EN GJS 400-15 Epoxy Coated Ductile Iron
2	FLANGE	EN GJS 400-15 Epoxy Coated Ductile Iron
3	BALL	CuZn40Pb2 Chrome Plated Brass
4	BALL SEAT	Reinforced PTFE
5	STEM	CuZn40Pb2 Brass
6	SLIDING WASHER	PTFE
7	RING	CuZn40Pb2 Brass
8	O-RING	NBR
9	LEVER	Epoxy Coated Carbon Steel
10	STOP PLATE	Galvanised Carbon Steel
11	SPRING WASHER	Galvanised Carbon Steel

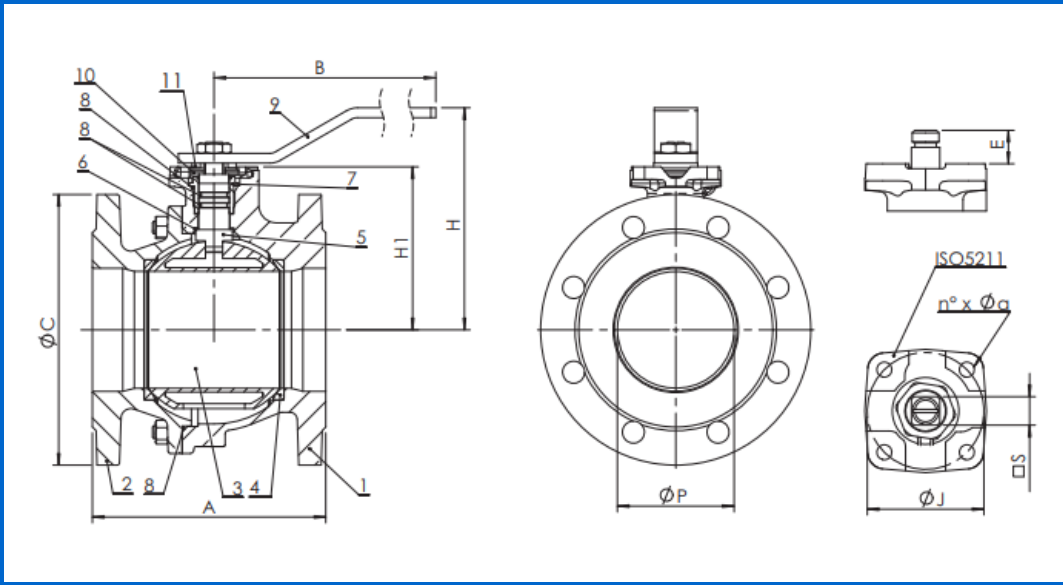
MORE ABOUT THE

Suitable for heating and conditioning (HVAC), district heating, distribution and treatment of water, industrial application, agricultural application, for compressed air processing, for oils and hydrocarbon, for fire fighting.

(Please ensure the choice of the corresponding item) YES: for installation in line and end of line, for services with frequent acting, the integrated ISO 5211 support allows the installation of a wide range of actuators

OPTIONS:

- Stem extension for thermal insulation
- Square cap for water main system connection
- Stem extension
- Kit ISO 5211 flange
- Kit lockable operation lever
- Kit limit switches for ON/OFF position indicator Actuators
- Actuated using electric of pneumatic actuators.
- Stainless Ball & Stem
- Gas Approved



ALL VALVES ONLINE

Offering a full range of actuated valve packages, manual valve range, pipe fittings and pumps, we have a product for all your requirements. As an ISO 9001-2015 Quality Approved and certified company, All Valves offer a quality service from pre-sale to post sale. Shipping millions of pounds in value of manual valve and actuated valve packages all over the world since its formation, All Valves are a trusted valve and actuator supplier to many companies all over the world. Working with the leading brands in most industries.



T +44 (0)1386 552369

E sales@allvalves.co.uk

W www.allvalves.co.uk

F +44 (0)1386 554227



AVOL valves are our range of industrial valves selected by our experienced technical sales team.

SERIES: 10064

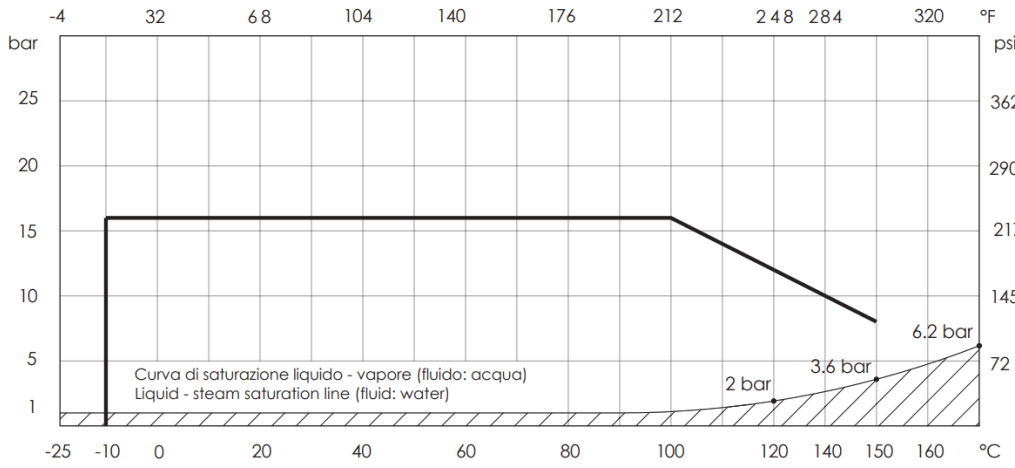
PRESSURE & TEMPERATURE CHART

NOTE :

NBR seat has a minimum temperature rating of -10 and a maximum rating of +100C with a peak rating of +110C

FKM (Viton) has a rating of minus -10 to +150C with a peak of 170C

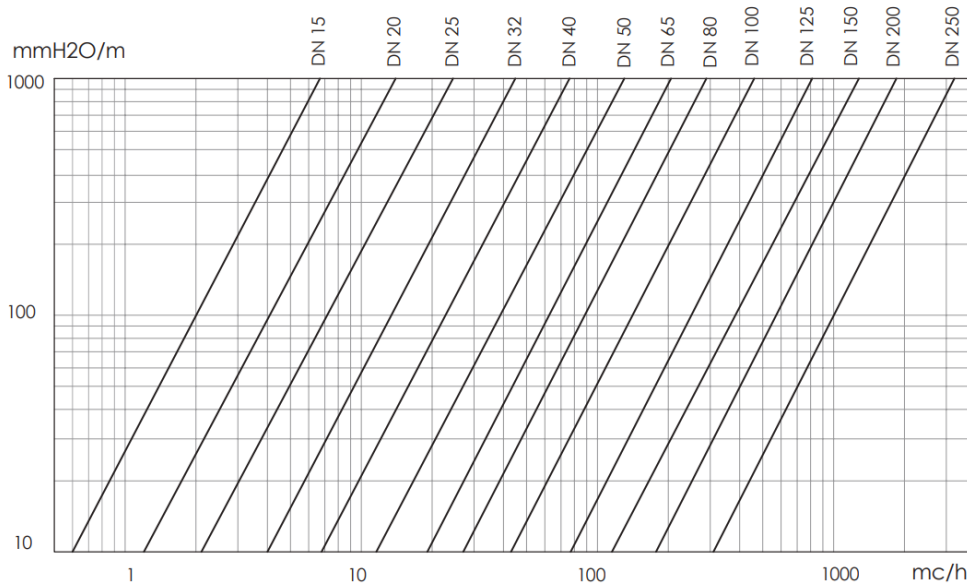
For **Water** applications the maximum Pressure rating is 16 bar but for **Gas** applications between flanges is 16 bar upto DN200 for end of line recommended that 10 bar is considered maximum.



HEAD LOSS CHART - Water (1m H2O = 0.098bar)

ABOUT ALL VALVES

AllValves Online™ have used decades of experience in the valve industry to select a range of products that match the Allvalves Online ethos - value for money. All Valves Products are from reputable sources and have been sold in significant quantities for many years, are installed in a wide variety of applications, and are known to be durable in service.



PRESSURE & TEMP CHART

