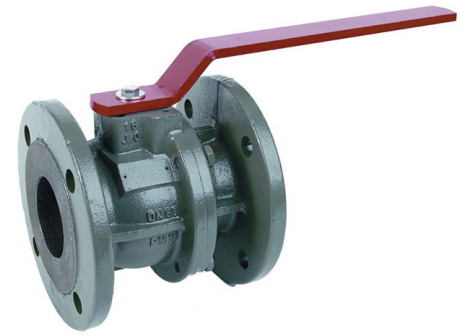




## Main Features:-

- ◆ Flanged PN16
- ◆ DIN 3202 F4 Face to Face 1" to 6", F5 - 8" Rated PN40 1" to 2", PN16 2½" to 8"
- ◆ Temperature -10°C to 100°C
- ◆ Lever Operated

\*Temperature and pressure determined by valve body, seat etc.



## Suitable Applications & Approvals:



INDUSTRY

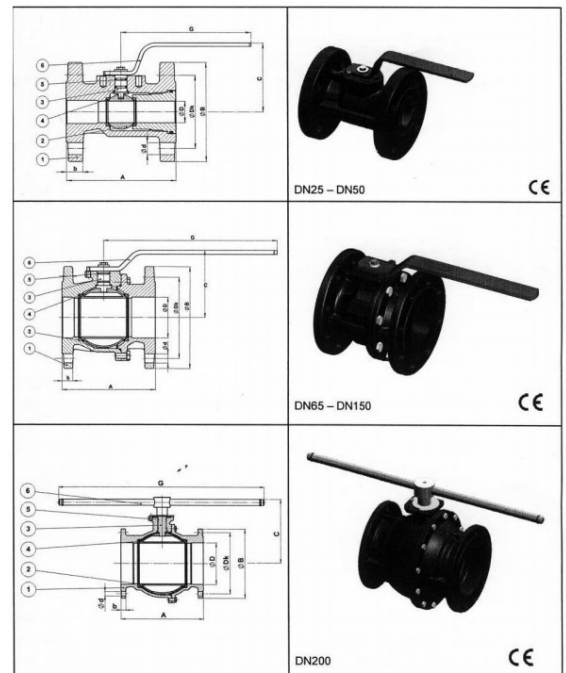
## SERIES: 10060

MANUFACTURER: **AV@L**  
INDUSTRIAL VALVES

No	Name	Materials
1	Body	Ductile Iron GGG40
2	Ball	Chrome Plated Brass
3	Stem	Brass
4	Seats	PTFE
5	O'Ring	NBR
6	Handle	Iron

### Torque figures for LV 5550 / LV 5555 (without Safety)

DN	*	P—Difference—Pressure								**
		0	5	10	16	20	25	30	40	
50	14	3	4	6	6	7	7	8	9	30
32	15	4	5	6	7	8	8	9	10	40
40	16	5	6	8	10	14	16	18	20	60
50	35	12	15	18	22	25	30	35	40	80
65	38	13	17	20	25	-	-	-	-	120
80	40	15	20	25	30	-	-	-	-	150
100	50	20	30	45	65	-	-	-	-	200
125	130	30	80	110	160	-	-	-	-	400
150	250	80	120	180	250	-	-	-	-	700
200	350	140	190	290	400	-	-	-	-	1000



VALVE DIMENSIONS

## ALL VALVES ONLINE

AllValves Online™ have used decades of experience in the valve industry to select a range of products that match the Allvalves Online ethos - value for money. All Valves Products are from reputable sources and have been sold in significant quantities for many years, are installed in a wide variety of applications, and are known to be durable in service.



T +44 (0)1386 552369

E sales@allvalves.co.uk

W www.allvalves.co.uk

F +44 (0)1386 554227



# BALL VALVES

**ALLVALVES**  
O N L I N E

**AVOL**  
INDUSTRIAL VALVES

AVOL valves are our range of industrial valves selected by our experienced technical sales team.

**SERIES: 10060**

Dn	A	ØB	C	ØD	G	b	ØDk	Ød	Nr.	ISO	ØSxP/K	Kg	Kv
25	125	115	76	25	150	18	85	14	4	F03	14x10	3.5	15
32	130	140	92	31	235	18	100	18	4	F04	17.6x12	5.3	35
40	140	150	97	39	235	18	110	18	4	F05	17.6x12	6.6	65
50	150	165	105	49	271	20	125	18	4	F05	17.6x12	8.8	95
65	170	185	124	63	288	18	145	18	4	F07	23.6x17	11.4	130
80	180	200	133	76	288	20	160	18	8	F07	23.6x17	14	315
100	190	220	153	100	288	20	180	18	8	F07	23.6x17	17	685
125	200	250	183	125	541	22	210	18	8	F10	31.6x19	30	895
125	325	250	183	125	541	22	210	18	8	F10	31.6x19	30	895
150	210	285	203	150	541	22	240	22	8	F10	31.6x19	37	1423
150	350	285	203	150	541	22	240	22	8	F10	31.6x19	37	1423
200	400	340	316	200	1000	24	295	22	12	F12	K30	84	2480

VALVE DIMENSIONS



**T** +44 (0)1386 552369

**E** sales@allvalves.co.uk

**W** www.allvalves.co.uk

**F** +44 (0)1386 554227