



Main Features:-

- ◆ Screwed BSPP, Full Bore
- ◆ Nickel Plated HT Brass Body
- ◆ PVC Coated Steel Lever, WRAS Approved
- ◆ Certified to EN331:1998+A1:2010 Manually Operated Valves for Gas Installations (CPR)

*Temperature and pressure determined by valve body, seat etc.

Suitable Applications & Approvals:



INDUSTRY

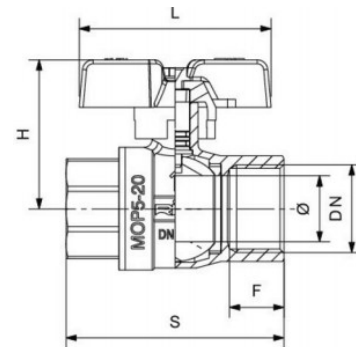
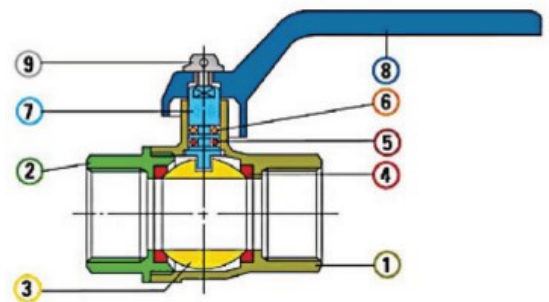
SERIES: 10038

MANUFACTURER: **AVOL**
INDUSTRIAL VALVES



No	Name	Materials
1	Body	Nickel Plated Brass
2	Body End	Nickel Plated Brass
3	Ball	Chrome Plated Brass
4	Seat	PTFE
5	O'Ring	FKM
6	O'Ring	NBR
7	Stem	Brass
8	Lever	Aluminium
9	Screw	Zinc Plated Steel

Size	Ø	H	S	L	F	Kv	Kg
1/4"	10	38	45	52	12.5	4.1	0.12
3/8"	10	40	45	52	12.5	6.3	0.12
1/2"	15	45	59	60	17	15.8	0.21
3/4"	20	53	69	73	18	29	0.34
1"	25	57	83	73	22	50	0.54



VALVE DIMENSIONS

Pressure

PN64	1/4" to 1/2"
PN40	3/4" & 1"

Temperature

Liquid	-20°C to 150°C
Gas	-20°C to 70°C

ALL VALVES ONLINE

Offering a full range of actuated valve packages, manual valve range, pipe fittings and pumps, we have a product for all your requirements. As an ISO 9001-2015 Quality Approved and certified company, All Valves offer a quality service from pre-sale to post sale.



T +44 (0)1386 552369

E sales@allvalves.co.uk

W www.allvalves.co.uk

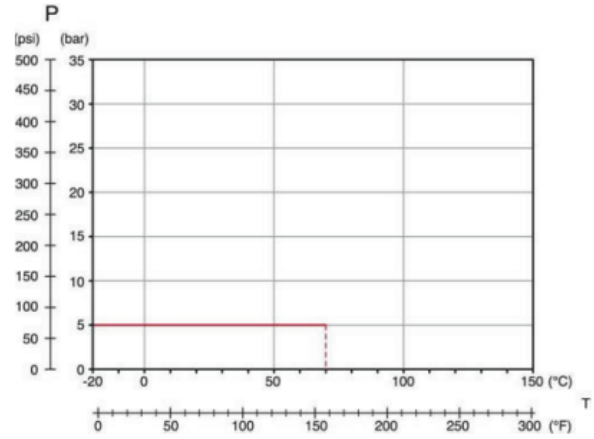
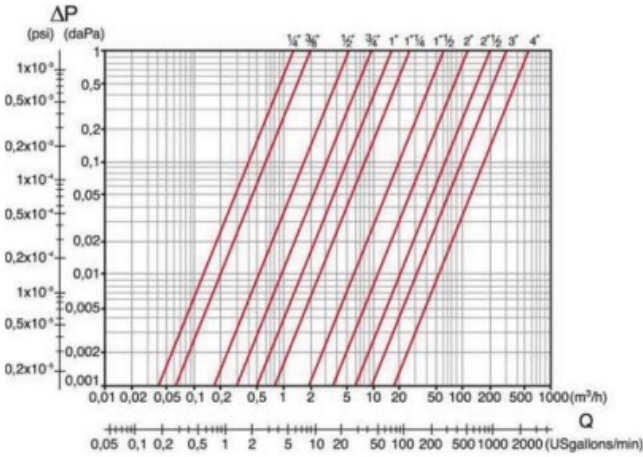
F +44 (0)1386 554227



AVOL valves are our range of industrial valves selected by our experienced technical sales team.

SERIES: 10038

Pressure Loss Chart, Pressure/ Temperature Chart



VALVE DIMENSIONS



T +44 (0)1386 552369

E sales@allvalves.co.uk

W www.allvalves.co.uk

F +44 (0)1386 554227