



Main Features:-

- ◆ Compression Ends, WRAS Approved
- ◆ Nickel Plated Brass Body
- ◆ Yellow PVC Coated Steel Lever
- ◆ Rated PN40 15mm, PN32 22mm & 28mm
- ◆ Temperature -20°C to 110°C

*Temperature and pressure determined by valve body, seat etc.



Suitable Applications & Approvals:

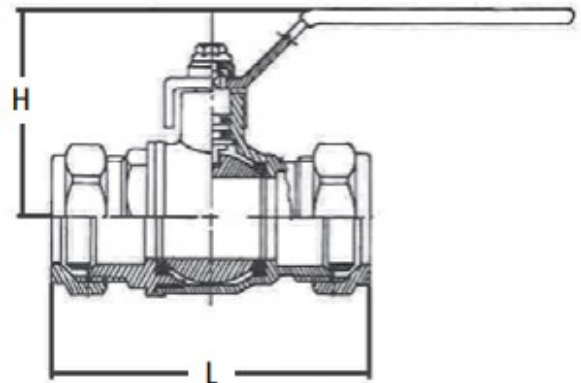


INDUSTRY

SERIES: 10017

MANUFACTURER: **AVOL**
INDUSTRIAL VALVES

No	Name	Materials
1	Body	Brass
2	Ball	Brass
3	Seat	PTFE
4	Stem	Brass
5	Compression Nut	Brass
6	Compression Cone	Brass
7	Lever	PVC Coated Steel
8	Butterfly Handle	Aluminium



VALVE DIMENSIONS

Size	L	H	Kg
15mm	71	48	0.2
22mm	83	55	0.34
28mm	91	60	0.5
35mm	119	62	1.28
42mm	1333	78	1.83
54mm	161	84	3.1

Other Options

- 10015 Red Lever
- 10016 Blue Lever
- 10017 Yellow Lever
- 10018 Red Butterfly Handle
- 10019 Blue Butterfly Handle
- 10020 Yellow Butterfly Handle



T +44 (0)1386 552369

E sales@allvalves.co.uk

W www.allvalves.co.uk

F +44 (0)1386 554227