



Main Features:-

- ◆ Screwed BSPP Male x Female
- ◆ Polished Chrome Plated Finish
- ◆ Reduced Bore, WRAS Approved
- ◆ Short Handle Rated PN16
- ◆ Temperature -10°C to 90°C

*Temperature and pressure determined by valve body, seat etc.

Suitable Applications & Approvals:



INDUSTRY

OIL

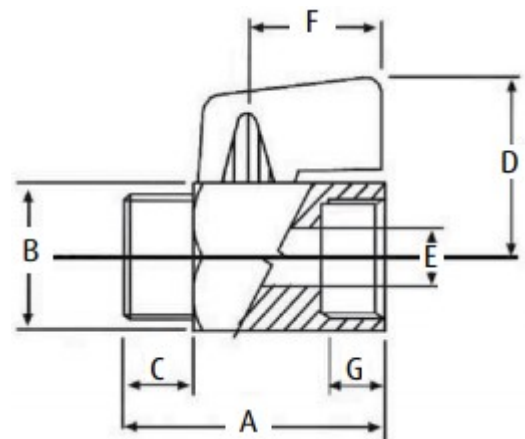


Also available with red and blue handle.

SERIES: 10010

MANUFACTURER: **AVOL**
INDUSTRIAL VALVES

No	Name	Materials
1	Body	Sandblasted Nickle Plated Brass
2	Sleeve	Brass
3	Ball	Nickel Plated Brass
4	Seat	PTFE
5	Stem O'Ring	NBR
6	Handle	Glass Fibre Reinforced Nylon



VALVE DIMENSIONS

Size	G	C	A	E	B	D	F	Kg
1/8"	9	9	39	6	21	27	22	0.08
1/4"	9	9	39	8	21	27	22	0.09
3/8"	10	9	40	8	21	27	22	0.07
1/2"	10.5	10.5	45	10	25	29	22	0.1
3/4"	13.5	13.5	51	12	30	31.5	22	0.17

ALL VALVES ONLINE

Offering a full range of actuated valve packages, manual valve range, pipe fittings and pumps, we have a product for all your requirements. As an ISO 9001-2015 Quality Approved and certified company, All Valves offer a quality service from pre-sale to post sale. Shipping millions of pounds in value of manual valve and actuated valve packages all over the world since its formation, All Valves are a trusted valve and actuator supplier to many companies all over the world. Working with the leading brands in most industries.



T +44 (0)1386 552369

E sales@allvalves.co.uk

W www.allvalves.co.uk

F +44 (0)1386 554227