



Main Features:-

- ◆ Compression End, Lever or Pointer Handle Op.
- ◆ Stainless Steel Body from Bar Stock
- ◆ Stainless Steel Ball & Stem, POM Seat
- ◆ Rated 6000psi
- ◆ Temperature 0°C to 40°C

*Temperature and pressure determined by valve body, seat etc.



Suitable Applications & Approvals:



INDUSTRY

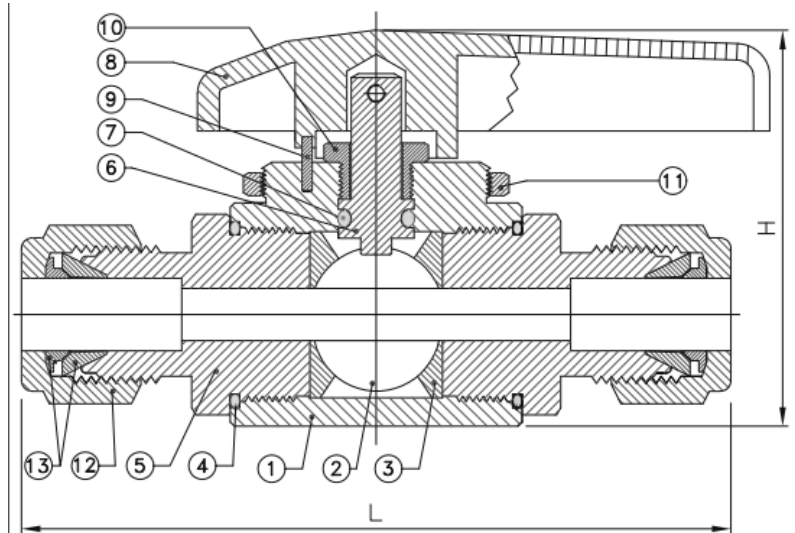
100065/100066/100069/100070

MANUFACTURER: **AVOL**
INDUSTRIAL VALVES

No Name Materials

1	Body	AISI 316
2	Ball	AISI 316
3	Packing	PTFE/POM
4	O'Ring	Viton/Buna-M
5	Adaptors	AISI 316
6	Spindle	AISI 316
7	O'Ring	Viton/ Buna-M
8	Handle	Nylon
9	Lock Pin	AISI 316
10	Gland Nut	AISI 316

Size	L	H
1/4"	78	50
3/8"	85	50
1/2"	102	60
3/4"	115	60
1"	140	70



VALVE DIMENSIONS

OPTIONS

ALL VALVES ONLINE



100069—Lever Op. Imperial
100070—Lever Op. Metric



100065—Pointer Handle Imperial
100066—Pointer Handle Metric

Offering a full range of actuated valve packages, manual valve range, pipe fittings and pumps, we have a product for all your requirements. As an ISO 9001 -2015 Quality Approved and certified company, All Valves offer a quality service from pre-sale to post sale.



T +44 (0)1386 552369

E sales@allvalves.co.uk

W www.allvalves.co.uk

F +44 (0)1386 554227