



Main Features:-

- ◆ Screwed BSPT
- ◆ Stainless Steel Body from Bar Stock
- ◆ Stainless Steel Spring & Disc, Buna N Seat
- ◆ 0.33psi Cracking Pressure Rated 6000psi
- ◆ Temperature -34°C to 135°C

*Temperature and pressure determined by valve body, seat etc.

Suitable Applications & Approvals:



INDUSTRY

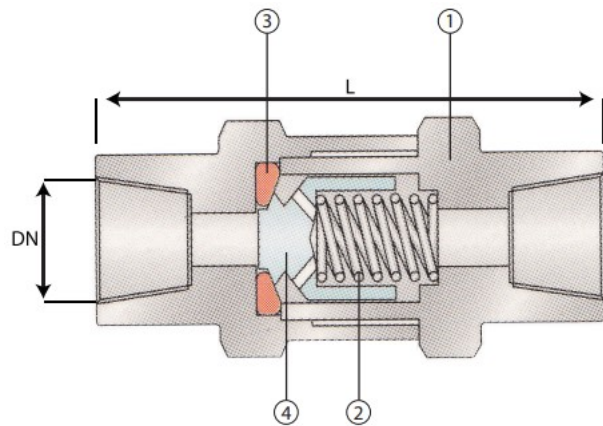
SERIES: 100062

MANUFACTURER:



NO	Name	Materials
1	Body	SS 316
2	Spring	SS 302
3	O'Ring	Buna-N
4	Poppet	SS 316

DN	L
1/4"	60
3/8"	60
1/2"	84
3/4"	84
1"	98.5



ALL VALVES ONLINE

Offering a full range of actuated valve packages, manual valve range, pipe fittings and pumps, we have a product for all your requirements. As an ISO 9001-2015 Quality Approved and certified company, All Valves offer a quality service from pre-sale to post sale. Shipping millions of pounds in value of manual valve and actuated valve packages all over the world since its formation, All Valves are a trusted valve and actuator supplier to many companies all over the world.

VALVE DIMENSIONS

T +44 (0)1386 552369

W www.allvalves.co.uk

E sales@allvalves.co.uk

F +44 (0)1386 554227

