



## Main Features:-

- ◆ Stainless Steel Body
- ◆ Stem and T-Handle
- ◆ PTFE Packing
- ◆ Screwed BSPP F x M
- ◆ 6000psi Rated, -29°C to 230°C

\*Temperature and pressure determined by valve body, seat etc.

## Suitable Applications & Approvals:



INDUSTRY



## SERIES: 100061

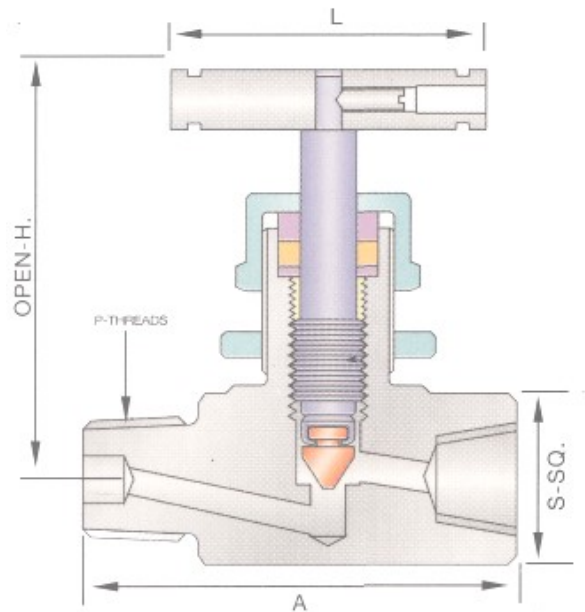
MANUFACTURER: **AVOL**  
INDUSTRIAL VALVES

VALVE DIMENSIONS

### Name Materials

Body	A479-316
Panel Nut	A479-316
Stem	A479-316
Packing	PTFE
Washer	A479-316
Gland Nut	A479-316
Grub Screw	SS Plated
Handle	SS
V-Tip	17-4 PH

Size	A	S-SQ	H	L
1/4"	55	22	69	60
3/8"	55	25	69	60
1/2"	73	30	83	60
3/4"	80	36	89	70
1"	88	45	102	70



## ALL VALVES ONLINE

Offering a full range of actuated valve packages, manual valve range, pipe fittings and pumps, we have a product for all your requirements. As an ISO 9001-2015 Quality Approved and certified company, All Valves offer a quality service from pre-sale to post sale.



**T** +44 (0)1386 552369

**E** sales@allvalves.co.uk

**W** www.allvalves.co.uk

**F** +44 (0)1386 554227