



## Main Features:-

- ◆ Flanged PN16
- ◆ EPDM Reinforced Rubber
- ◆ Max Temperature 90°C
- ◆ DN32 to DN600
- ◆ Floating Flange

\*Temperature and pressure determined by valve body, seat etc.



## Suitable Applications & Approvals:

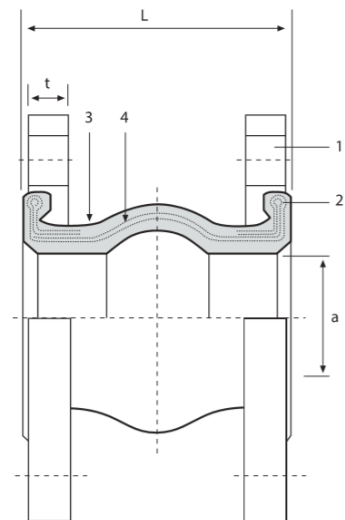


## SERIES: 100005

MANUFACTURER:



DN	A	L	Lateral	Expansion	Compression	Angular
32	40	100	10	10	10	100
40	40	100	10	10	10	100
50	50	100	10	10	10	100
65	65	100	10	10	10	100
80	75	100	10	10	10	100
100	100	100	10	10	10	10
125	125	120	10	10	10	100
150	150	120	10	10	10	100
200	200	120	10	10	10	100



VALVE DIMENSIONS

## ALL VALVES ONLINE

Offering a full range of actuated valve packages, manual valve range, pipe fittings and pumps, we have a product for all your requirements. As an ISO 9001-2015 Quality Approved and certified company, All Valves offer a quality service from pre-sale to post sale. Shipping millions of pounds in value of manual valve and actuated valve packages all over the world since its formation, All Valves are a trusted valve and actuator supplier to many companies all over the world. Working with the leading brands in most industries.



T +44 (0)1386 552369

W [www.allvalves.co.uk](http://www.allvalves.co.uk)

E [sales@allvalves.co.uk](mailto:sales@allvalves.co.uk)

F +44 (0)1386 554227