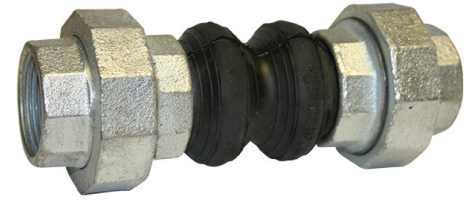




## Main Features:-

- ◆ Screwed BSPP
- ◆ EPDM Bellows, Galvanized Iron Union Ends
- ◆ WRAS Approved
- ◆ Rated PN16
- ◆ Temperature -10°C to 100°C

\*Temperature and pressure determined by valve body, seat etc.



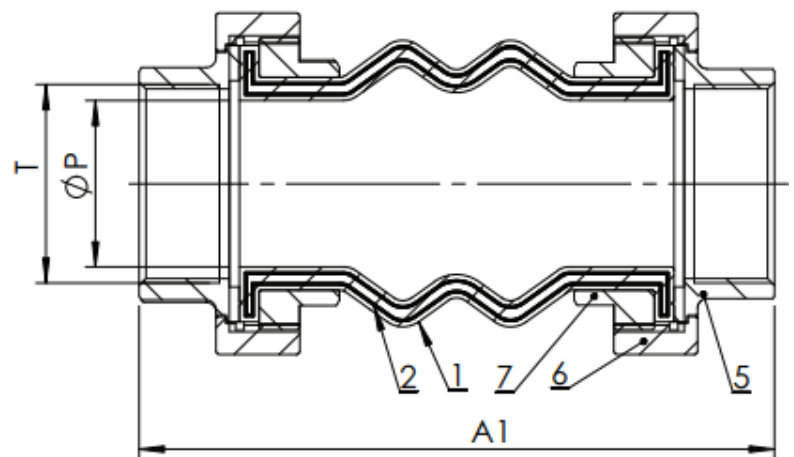
Suitable Applications & Approvals:

## SERIES: 100002

MANUFACTURER: **AVOL**  
INDUSTRIAL VALVES

### Part Material

Body	EPDM
Reinforcing Fabric	Nylon
Screw	Galvanized Iron
Ring Nut	Galvanized Iron
Union Flange	Galvanized Iron



VALVE DIMENSIONS

SIZE	A1	P	KV	Com	Ext	Lat	Ang	Kg
3/4"	165	16	12	22	6	22	30	0.58
1"	175	16	22	22	6	22	30	0.9
1 1/4"	186	21	40	22	6	22	30	1.25
1 1/2"	186	34	57	22	6	22	30	1.72
2"	200	40	75	22	6	22	20	2.75
2 1/2"	218	54	140	22	6	22	15	3.6
3"	260	63	175	22	6	22	15	5.2

Com—Compression (mm), Ext—Extension (mm), Lat—Lateral Deflection (mm), Ang—Angular Deflection (degrees)



**T** +44 (0)1386 552369

**E** sales@allvalves.co.uk

**W** www.allvalves.co.uk

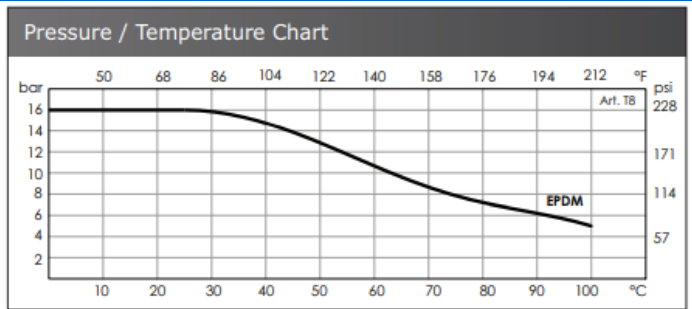
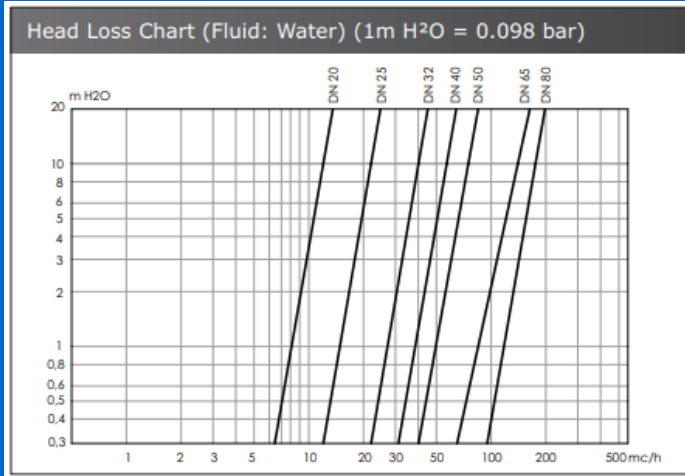
**F** +44 (0)1386 554227



AVOL valves are our range of industrial valves selected by our experienced technical sales team.

**SERIES: 100002**

## Headloss and Pressure/Temperature Chart



MATERIALS OF CONSTRUCTION

### ALL VALVES ONLINE

Offering a full range of actuated valve packages, manual valve range, pipe fittings and pumps, we have a product for all your requirements. As an ISO 9001-2015 Quality Approved and certified company, All Valves offer a quality service from pre-sale to post sale. Shipping millions of pounds in value of manual valve and actuated valve packages all over the world since its formation, All Valves are a trusted valve and actuator supplier to many companies all over the world. Working with the leading brands in most industries.



T +44 (0)1386 552369

E sales@allvalves.co.uk

W www.allvalves.co.uk

F +44 (0)1386 554227