

## Main Features:-

- ◆ Bi-Directional Knife Gate Valve
- ◆ Actuated With A Double Acting Cylinder
- ◆ Wafer Threaded, PN10
- ◆ No Retention Zone
- ◆ Under Silo Valve

\*Temperature and pressure determined by valve body, seat etc.



## Suitable Applications & Approvals:



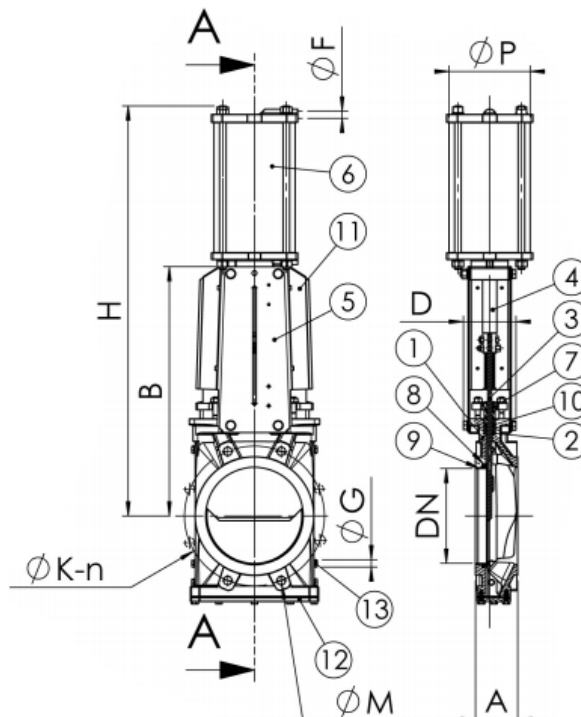
## SERIES: 43025

MANUFACTURER: **Tecofi'**  
VALVE DESIGNER - FRANCE

DN	SIZE	A	B	C	D	ØF	ØP	H	ØK	n	ØM	ØG	Kg	APPLICATION:
100	4"	64	335	174	82	1/4"	100	562	180	8	4xM16	1/4"	14	The Tecofi knife gate valve can typically be used for the following applications; <ul style="list-style-type: none"> <li>• Pulp and Paper</li> <li>• Water</li> <li>• Water Treatment</li> <li>• Biogas</li> <li>• Chemical</li> <li>• Powder</li> <li>• Slurry and Waste</li> <li>• Mining</li> </ul>
125	5"	70	375	189	93	1/4"	125	642	210	8	4xM16	1/4"	18	
150	6"	76	423	220	93	1/4"	150	692	240	8	4xM20	1/4"	23	
200	8"	89	528	275	108	1/4"	160	858.5	295	8	4xM20	1/4"	31.3	
250	10"	114	627	340	108	1/4"	200	1017	350	12	8xM20	1/4"	65	
300	12"	114	702	380	108	1/4"	200	1156	400	12	8xM20	1/2"	81	
400	16"	140	945	502	290	3/8"	250	1491	515	16	10xM24	1/4"	177	

## VALVE DIMENSIONS

No	Description	Material
1	Body	EN-GJL-250
2	Packing	Tallowed cotton
3	Knife Gate	X5CrNi 18-10
4	Stem	Inox 13% Cr
5	Support Plate	Steel + Epoxy
6	Pneum. Act.	Aluminium
7	Packing Gland	Aluminium
8	Gasket	Nitrile
9	Support Ring	SS 316
10	O'Ring	Nitrile
11	Protection Plate	SS 304
12	Evacuation Door	EN-GJL-250
13	Plug of Blowing orifice	SS 304



T +44 (0)1386 552369

W www.allvalves.co.uk

E sales@allvalves.co.uk

F +44 (0)1386 554227



MANUFACTURER: **Tecofi'**  
VALVE DESIGNER - FRANCE

**SERIES: 43025**

DN	Max Working Pressure	TECOFI
DN150	2.5 Bar	<p>The company is based in Lyon for 30 years. French manufacturer of industrial valves, that carry out the design, manufacture and marketing of a complete range of valves for all types of industries. Tecofi are one of the major players in the field of water, climate engineering, paper, chemical, steel and energy industry.</p>
DN200	2 Bar	
DN250-300	1.5 Bar	
DN400	1.3 Bar	

TEMPERATURE AND PRESSURE

## ALL VALVES ONLINE

Offering a full range of actuated valve packages, manual valve range, pipe fittings and pumps, we have a product for all your requirements. As an ISO 9001-2015 Quality Approved and certified company, All Valves offer a quality service from pre-sale to post sale. Shipping millions of pounds in value of manual valve and actuated valve packages all over the world since its formation, All Valves are a trusted valve and actuator supplier to many companies all over the world. Working with the leading brands in most industries.



**T** +44 (0)1386 552369

**E** sales@allvalves.co.uk

**W** www.allvalves.co.uk

**F** +44 (0)1386 554227