

## Main Features:-

- ◆ Bi-Directional Knife Gate Valve
- ◆ Actuated With A Double Acting Cylinder
- ◆ Wafer Threaded, PN10
- ◆ No Retention Zone
- ◆ Through Conduit Valve

\*Temperature and pressure determined by valve body, seat etc.

## Suitable Applications & Approvals:



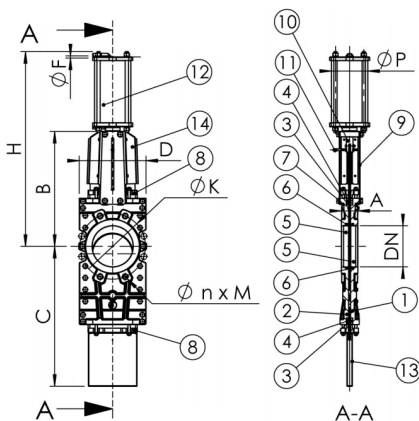
## SERIES: 43024

MANUFACTURER: **Tecofi**  
VALVE DESIGNER - FRANCE

VALVE DIMENSIONS

DN	SIZE	A	B	C	D	ØF	ØP	H	ØK	n x M	Kg	APPLICATION:
50	2"	40	246	221	150	1/4"	80	412	125	4xM16	10	The Tecofi knife gate valve can typically be used for the following applications; <ul style="list-style-type: none"> <li>• Pulp and Paper</li> <li>• Water</li> <li>• Water Treatment</li> <li>• Biogas</li> <li>• Chemical</li> <li>• Powder</li> <li>• Slurry and Waste</li> <li>• Mining</li> </ul>
65	2 1/2"	40	264	264	168	1/4"	80	458	145	4xM16	12	
80	3"	50	295	297	184	1/4"	80	502	160	8xM16	18	
100	4"	50	335	354	205	1/4"	100	562	180	8xM16	24	
125	5"	50	375	430	220	1/4"	125	635	210	8xM16	31	
150	6"	60	423	530	240	1/4"	15	718	240	8xM20	39	
200	8"	60	528	641	295	1/4"	160	885	295	8xM20	67	
250	10"	70	627	772	355	1/4"	200	1042	350	12xM20	126	
300	12"	70	702	882	410	1/4"	200	1164	400	12xM20	138	
350	14"	96	835	1043	NC	3/8"	250	1362	460	16xM20	200	
400	16"	100	945	1168	NC	3/8"	250	1542	515	16xM24	281	
450	18"	106	1040	1296	NC	1/2"	250	1677	565	20xM24	427	
500	20"	110	1150	1454	NC	1/2"	300	1842	620	20xM24	540	
600	24"	110	1354	1706	NC	1/2"	300	2147	725	20xM27	609	
700	28"	110	1540	1981	NC	1/2"	300	2542	840	24xM27	1054	

### DIMENSIONAL DRAWING



No	Description	Material	No	Description	Material
1	Body	EN-GJL-250	8	Packing Gland	Aluminium
2	Second Body	EN-GJL-250	9	Support Plate	Steel + Epoxy
3	Packing	Tallowed Cotton	10	Stem	Stainless Steel
4	O'Ring	Nitrile	11	Position Indicator	SS 304
5	Support Ring	SS 316	12	Pneumatic Act.	Aluminium
6	Gasket	Nitrile	13	Down Hood	Stainless Steel
7	Knife Gate	X5CrNi 18-10	14	Lateral Hood	Stainless Steel

T +44 (0)1386 552369

W www.allvalves.co.uk

E sales@allvalves.co.uk

F +44 (0)1386 554227



MANUFACTURER: **Tecofi**  
VALVE DESIGNER - FRANCE

**SERIES: 43024**

DN	Max Working Pressure	TECOFI
DN50-250	10 Bar	<p>The company is based in Lyon for 30 years. French manufacturer of industrial valves, that carry out the design, manufacture and marketing of a complete range of valves for all types of industries. Tecofi are one of the major players in the field of water, climate engineering, paper, chemical, steel and energy industry.</p>
DN300-400	6 Bar	
DN450-600	3.5 Bar	
DN700	2.5 Bar	

TEMPERATURE AND PRESSURE

## ALL VALVES ONLINE

Offering a full range of actuated valve packages, manual valve range, pipe fittings and pumps, we have a product for all your requirements. As an ISO 9001-2015 Quality Approved and certified company, All Valves offer a quality service from pre-sale to post sale. Shipping millions of pounds in value of manual valve and actuated valve packages all over the world since its formation, All Valves are a trusted valve and actuator supplier to many companies all over the world. Working with the leading brands in most industries.



**T** +44 (0)1386 552369

**E** sales@allvalves.co.uk

**W** www.allvalves.co.uk

**F** +44 (0)1386 554227