

Main Features:-

- ◆ Uni-Directional Knife Gate Valve
- ◆ Actuated With A Spring Return Cylinder
- ◆ Wafer Threaded, PN10
- ◆ On/Off or Regulation
- ◆ Direction Indicated By Arrows On The Body

*Temperature and pressure determined by valve body, seat etc.

Suitable Applications & Approvals:



WASTE



INDUSTRY



CERTIFIED



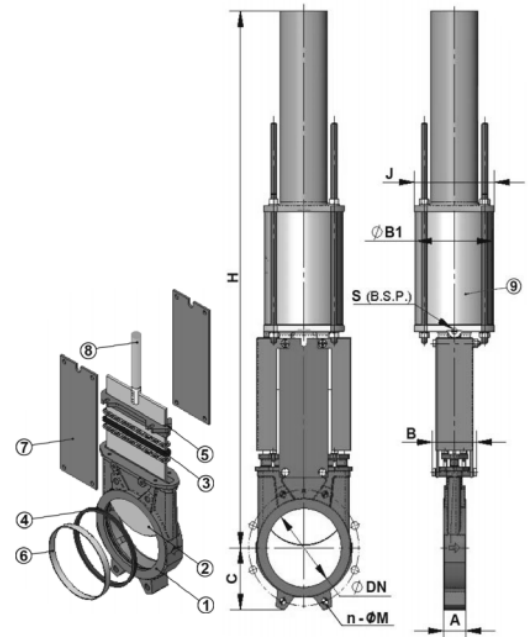
SERIES: 43009

MANUFACTURER: **Tecofi**
VALVE DESIGNER - FRANCE

VALVE DIMENSIONS

DN	SIZE	A	B	C	B1	J	S	H	ØM	Kg
50	2"	40	92	63	125	135	1/4"	781	4xM16	19
65	2 1/2"	40	92	70	125	135	1/4"	806	4xM16	22
80	3"	50	92	92	125	135	1/4"	833	4xM16	23
100	4"	50	92	105	125	135	1/4"	873	4xM16	24
125	5"	50	102	120	160	170	1/4"	909	4xM16	35
150	6"	60	102	130	160	170	1/4"	980	4xM20	36
200	8"	60	119	160	200	215	3/8"	1355	4xM20	66
250	10"	70	119	198	250	270	3/8"	1844	8xM20	130
300	12"	70	119	234	250	270	3/8"	2005	8xM20	143

No	Description	Material
1	Body	EN-GJL-250
2	Packing	PTFE
3	Gate	SS X5CrNi 18-10
4	Stem	SS 13%Cr
5	Support Plate	Steel + Epoxy
6	Pneumatic Actuator	Aluminium
7	Packing Gland	Ductile Iron
8	Gasket	Nitrile
9	Support Ring	SS 316
10	O'Ring	Nitrile
11	Protection Plate	SS 304



T +44 (0)1386 552369

E sales@allvalves.co.uk

W www.allvalves.co.uk

F +44 (0)1386 554227



MANUFACTURER: **Tecofi'**
VALVE DESIGNER - FRANCE

SERIES: 43009

Material	Max Working Temperature	DN	Max Working Pressure	APPLICATION:
Metal/Metal	-10°C / +80°C	DN50-150	10 Bar	The Tecofi knife gate valve can typically be used for the following applications; <ul style="list-style-type: none"> • Pulp and Paper • Water • Water Treatment • Biogas • Chemical • Powder • Slurry and Waste • Mining
White NBR	-10°C / +80°C	DN200	8 Bar	
EPDM	-10°C / +130°C	DN250-300	6 Bar	
Silicone	-10°C / +170°C			
FPM (Viton)	-10°C / +170°C			
PTFE	+4°C / +170°C			
CSM (Hypalon)	+4°C / +80°C			

ALL VALVES ONLINE

Offering a full range of actuated valve packages, manual valve range, pipe fittings and pumps, we have a product for all your requirements. As an ISO 9001-2015 Quality Approved and certified company, All Valves offer a quality service from pre-sale to post sale. Shipping millions of pounds in value of manual valve and actuated valve packages all over the world since its formation, All Valves are a trusted valve and actuator supplier to many companies all over the world. Working with the leading brands in most industries.

TEMPERATURE AND PRESSURE



T +44 (0)1386 552369

E sales@allvalves.co.uk

W www.allvalves.co.uk

F +44 (0)1386 554227